

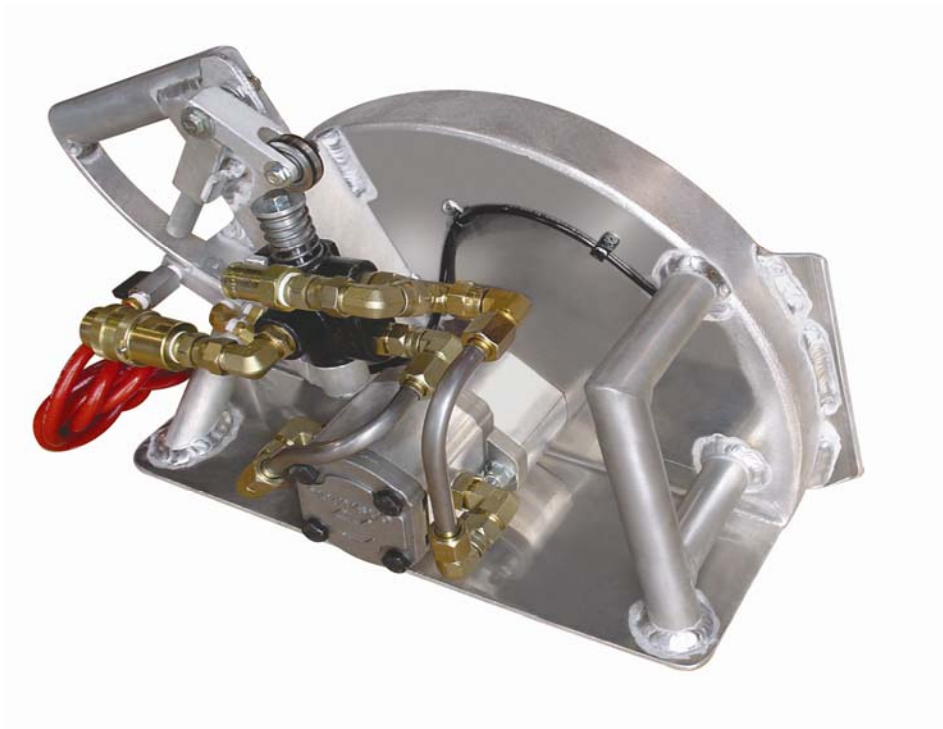


**DIAMOND
PRODUCTS**



Specialty Equipment Division

HS-20F Flush Cut Hydraulic Hand Saw PARTS BOOK

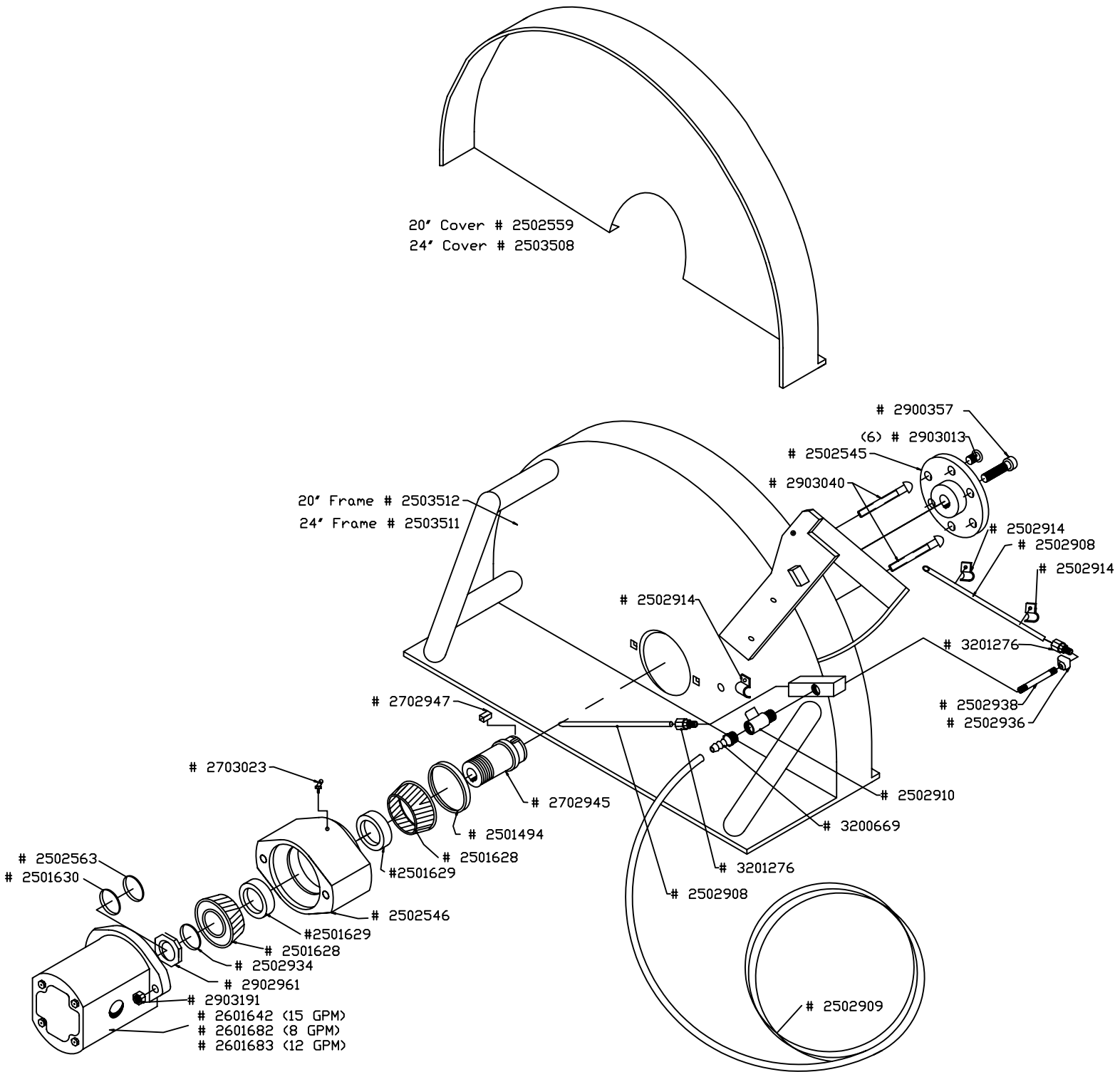


REVISED: 1-1-04

HAND SAW PARTS LIST DRAWING #1

Part Number	Description	Qty. Required
2501494	LD Seal	1
2501628	Bearing	2
2501629	Race	2
2501630	Shaft Seal	1
2502545	FC Hub	1
2502546	Housing	1
2502559	20" FC Cover	1
2502563	Backing Ring	1
2502908	1/4" Water Way Tubing	2
2502909	1/4" Red Water Hose	1
2502910	Water Valve	1
2502912	Shear Pin	1
2502914	Clamp Water Tube	3
2502934	Washer	1
2502936	Female Elbow	1
2502938	Brass Nipple	1
2503508	24" FC Cover	1
2503511	24" FC Frame	1
2503512	20" FC Frame	1
2601642	15 GPM Motor	1
2601682	8 GPM Motor	1
2601683	12 GPM Motor	1
2702945	FC Shaft	1
2702947	Inner Collar Key	1
2703023	Grease Fitting	1
2900357	3/16-16x1 1/2" Bolt	1
2902961	Stover Half Nut	1
2902962	BS Nut LH Thread	1
2903013	5/16-18x5/8" FC Screws	6
2903040	Carriage Bolt	2
2903191	Nylock Nut	2
3200669	1/4" Hose Barb	1
3201276	Compression Fitting	2

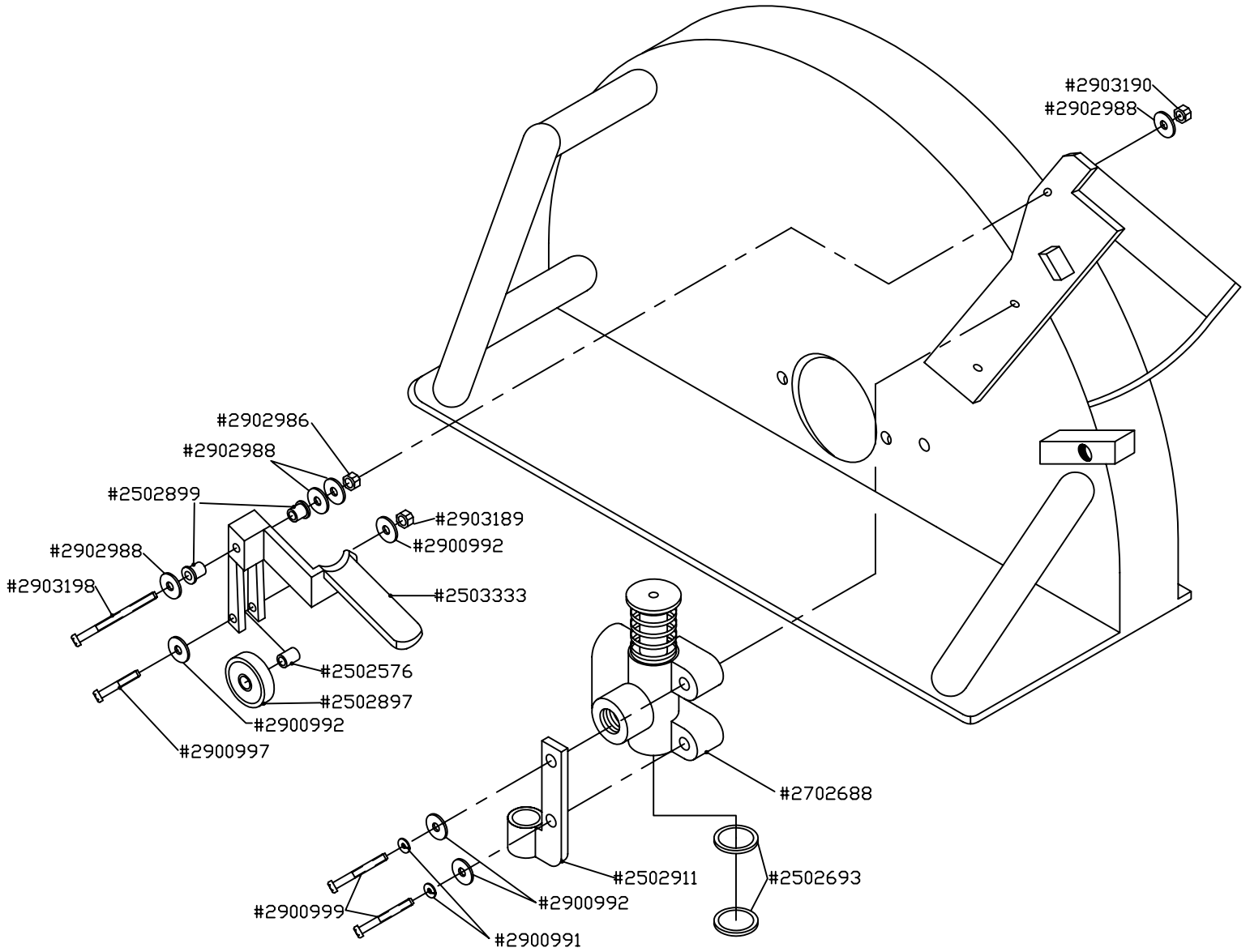
Drawing #1



HAND SAW PARTS LIST DRAWING #2

Part Number	Description	Qty. Required
2502576	Straight Bushing	1
2502693	Quad Seal	2
2502897	Bearing 202	1
2502899	Flange Bushing	2
2502911	Valve Cap	1
2503333	Trigger	1
2702688	Metro Valve	1
2900991	1/4" Lock Washers	2
2900992	1/4" Flat Washers	2
2900997	1/4-20 X 1 1/2" Bolt	1
2900999	1/4-20 x 2" Bolt	2
2902986	5/16-18 Nut	1
2902988	5/16" Flat Washer	3
2903189	1/4-20 Nylock	1
2903190	5/16-18 Nylock	1
2903198	5/16-18 x 3 1/2" Bolt	1

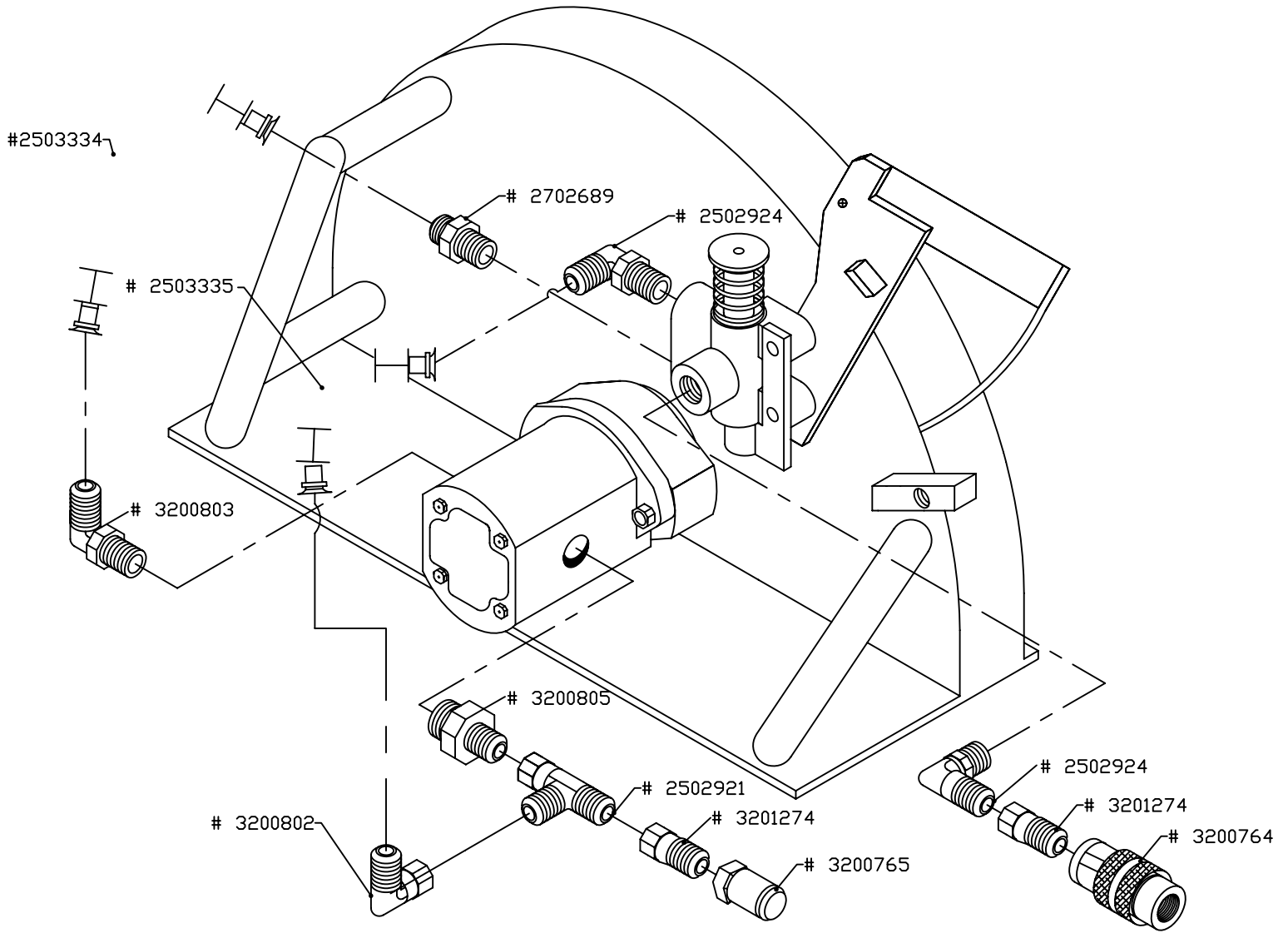
Drawing #2



HAND SAW PARTS LIST DRAWING #3

Part Number	Description	Qty. Required
2502921	Fitting	1
2502924	Fitting	2
2503334	Tube Assembly	1
2503335	Tube Assembly	1
2702689	Fitting	1
3200764	Female QD	1
3200765	Male QD	1
3200802	Fitting	1
3200803	Fitting	1
3200805	Fitting	1
3201274	1/2" Swivel Fitting	2

Drawing #3



EQUIPMENT AND PARTS WARRANTY

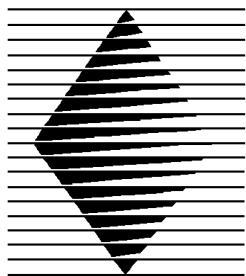
Diamond Products warrants all equipment manufactured by it against defects in workmanship or materials for a period of one (1) year from the date of shipment to Customer.

The responsibility of Diamond Products under this Warranty is limited to replacement or repair of defective parts at Diamond Products' Elyria, Ohio factory, or at a point designated by it, of such parts as shall appear to us upon inspection at such parts, to have been defective in material or workmanship, with expense for transportation and labor borne by Customer.

In no event shall Diamond Products be liable for consequential or incidental damages arising out of the failure of any Product to operate properly.

Integral units such as engines, electric motors, batteries, transmissions, etc., are excluded from this Warranty and are subject to the prime manufacturer's warranty.

THIS WARRANTY IS IN LIEU OF ALL OTHER WARRANTIES, EXPRESSED OR IMPLIED, AND ALL SUCH OTHER WARRANTIES ARE HEREBY DISCLAIMED.



DIAMOND PRODUCTS

333 Prospect Street, Elyria, Ohio 44035
(440) 323-4616 • (800) 321-5336 • Fax (440) 323-8689

www.diamondproducts.com