

Portable 14" Masonry Saw Dry Kit

Part List

Item no.	Description	Quantity
1	Dry kit	1
2	Left dust guard	1
3	Right dust guard	1
4	M4 X 0.7 X 12L cross screw	6
5	M4 lock washer	6
6	M4 narrow washer	6
7	Mounting rod	1
8	M5 X 0.8 X 10L	3
9	M5 lock washer	3
10	M5 wide washer	3
11	M8 X 1.25 X 20L wing screw	2
12	Metal screen	1

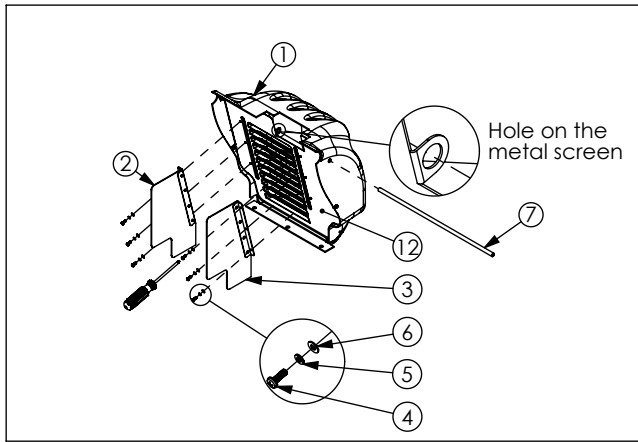


Figure 1: Kit assembly

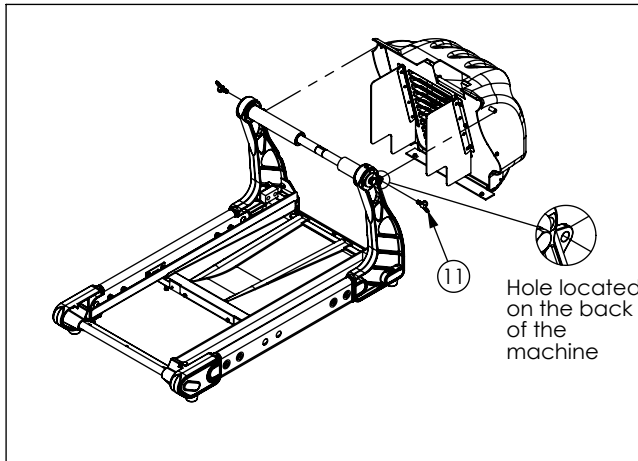


Figure 2: Installing the kit

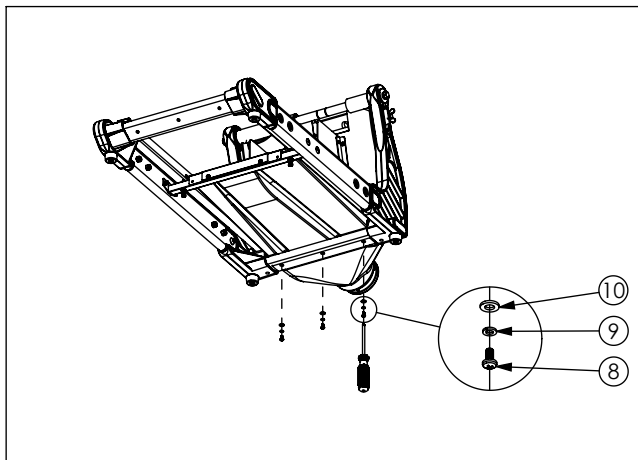


Figure 3: Underside view of the saw

Kit Assembly

1. Remove the dust guards from their card board packaging.
2. Position the left and right dust guards next to the inlet of the metal screen.
3. Fasten the dust guards to the metal screen as shown in Figure 1, using the provided hardware.
4. Slide the mounting rod into the dry kit assembly. Make sure the mounting holes are aligned with holes on the metal screen.

Using the Kit

1. Align mounting rod to holes located at the back of the saw (see Figure 2).
2. Fasten both sides of the rod with the provided wing screws.
3. Fasten the bottom of the dry kit with the provided hardware as shown in Figure 3.

Note: Always unplug unit before servicing the saw or adding a kit.