

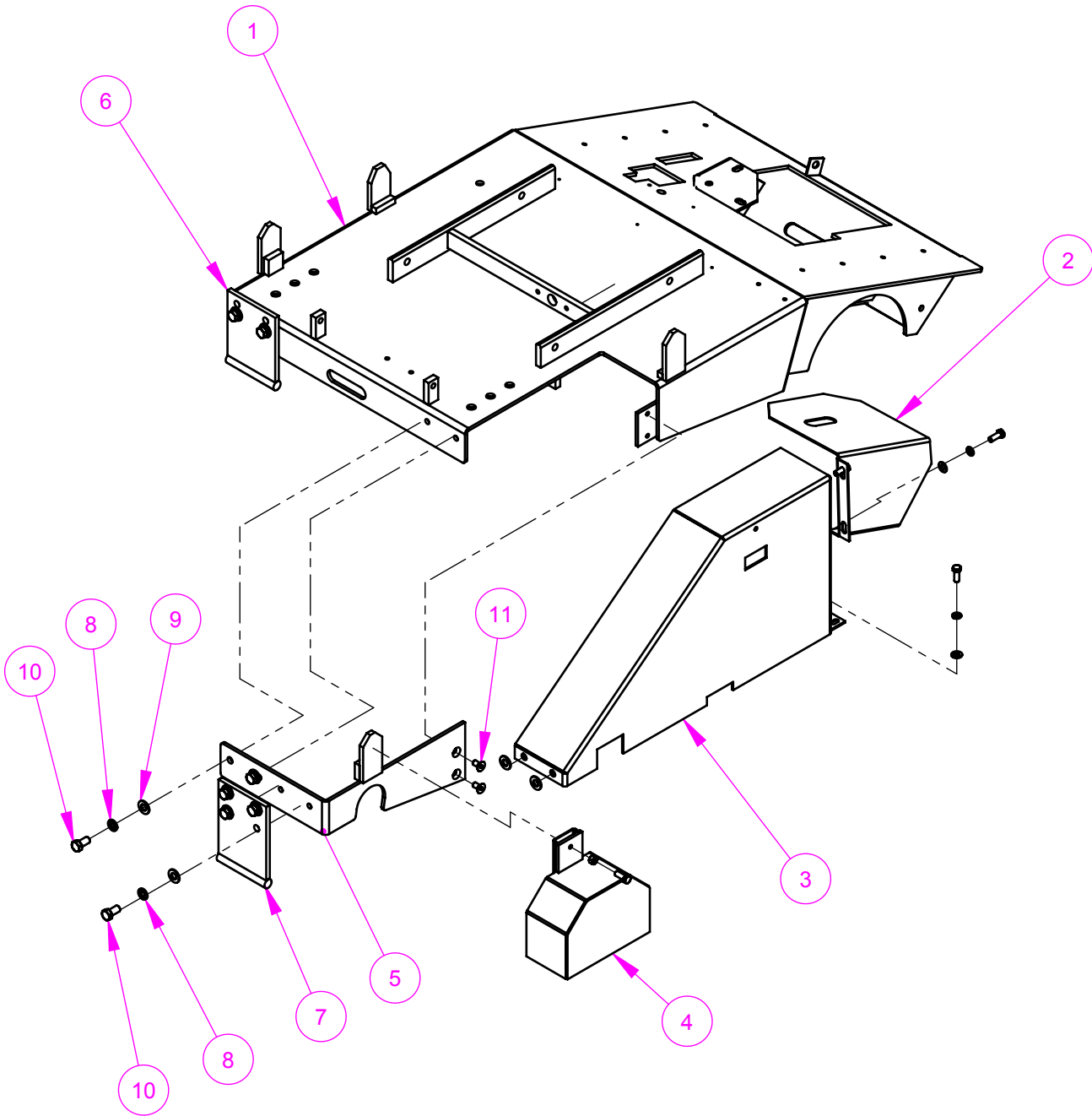
DIAMOND
PRODUCTS
REAR PIVOT SAW
PARTS LIST

MODEL
CC6160D to
CC6160QS Retrofit

(April 2007)

Part #1801825

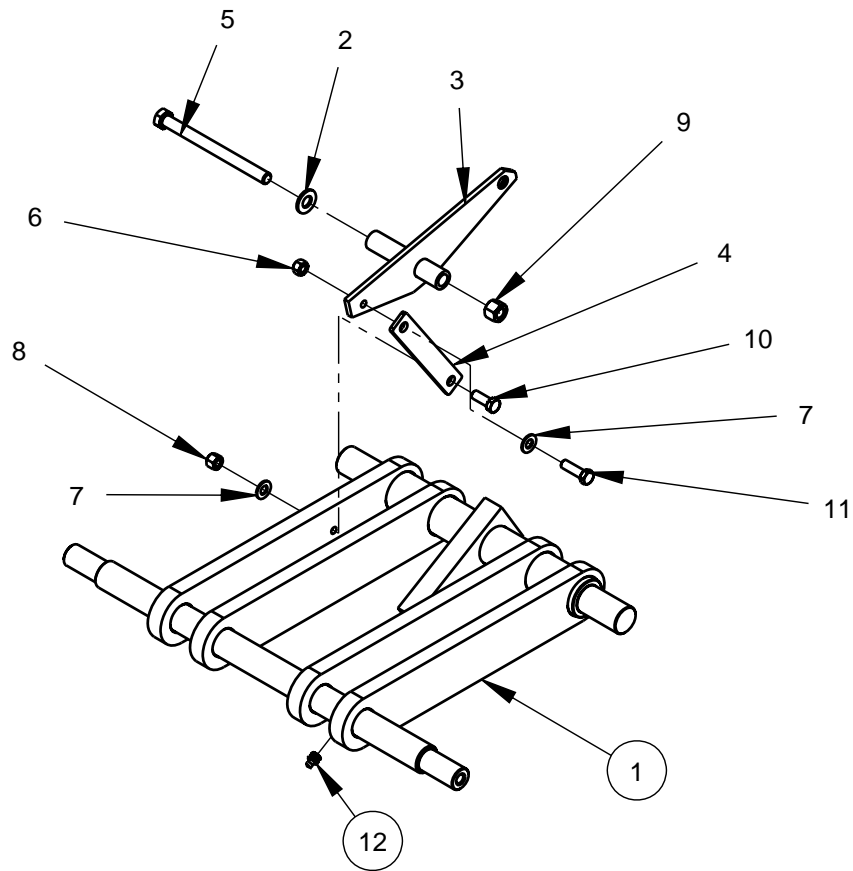
Frame Assembly Retrofit #6010444, page 1 of 9



Frame Assembly Retrofit #6010444, page 2 of 9

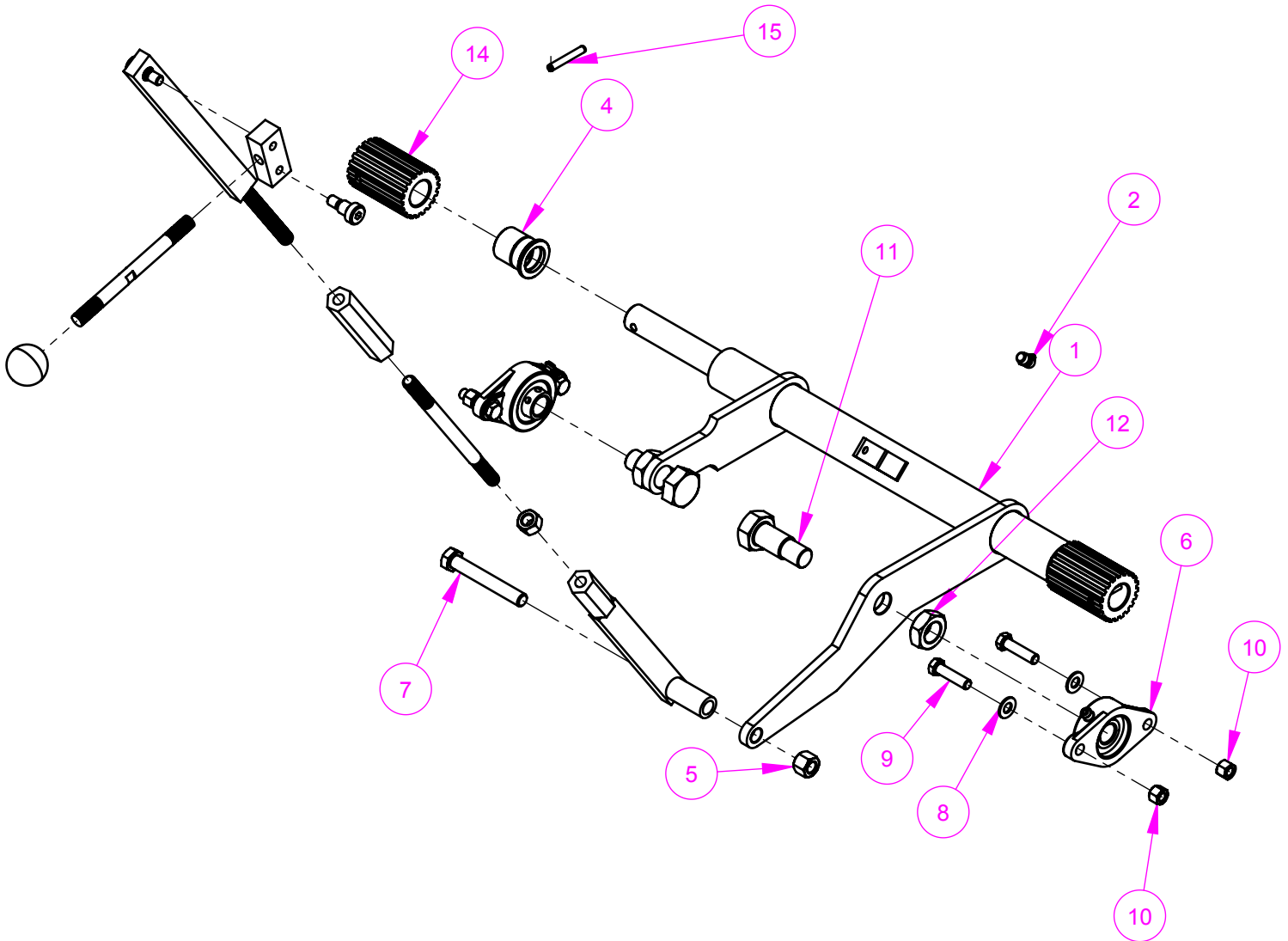
ITEM	PART NO.	DESCRIPTION	6010444 Page 1/QTY.
1	6011365	Base Plate Weldment 6160	1
2	6011362	Belt Guard Hydraulic Pump	1
3	6011356	Beltguard-6160	1
4	6011357	Bladeshaft Guard Weldment	1
5	6011353	Corner Brace Weldment	1
6	6010681	Skid Plate	1
7	6048948	Skid Plate	1
8	2900084	Lock Washer, 1/2" Split	8
9	2900058	Flat Washer, 1/2" SAE	10
10	2900086	Cap Screw, Hex Hd., 1/2-13 x 1"	8
11	2900701	Cap Screw, Flat Hd., 3/8-16 x 3/4"	2

Front Axle Assembly Retrofit #6010444, page 3 of 9



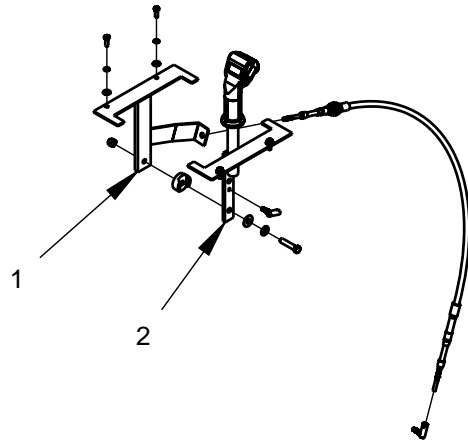
ITEM NO.	PART NUMBER	DESCRIPTION	6010444 /QTY.
1	6011350	Front Axle Weldment	1
2	2900058	Flat Washer, 1/2" SAE	1
3	6011352	Depth Indicator Bracket	1
4	6011351	Depth Indicator Link	1
5	2903097	Capscrew, Hex Hd., 1/2-13 x 6"	1
6	2900033	Hex Nut, 3/8-16	1
7	2900014	Flat Washer, 3/8" SAE	2
8	2900018	Lock Nut, 3/8-16 Nylon	1
9	2900026	Lock Nut, 1/2-13 Nylon	1
10	2900005	Cap Screw, Hex Hd., 3/8-16 x 1"	1
11	2900013	Cap Screw, Hex Hd., 3/8-16 x 1-1/4"	1
12	2900062	Grease Fitting, 1/8" NPT	1

Positraction Engagement Assembly Retrofit #6010444, page 4 of 9

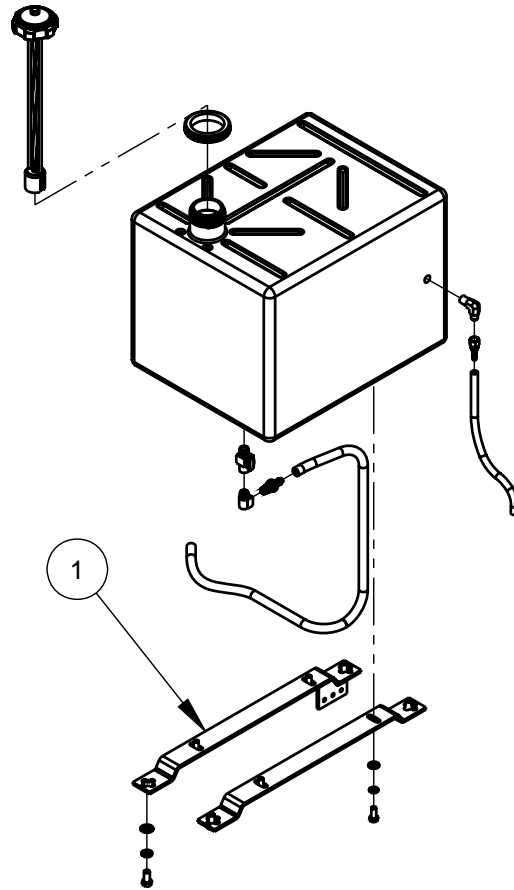


ITEM	PART NO.	QTY.	DESCRIPTION
1	6045090	1	Traction Bar Weldment
2	2900193	1	Grease Fitting, 1/8" NPT x 45 degree
3	6011349	1	Positraction Arm Weldment
4	2502170	2	Grooved Flange Bearing 1 x 1-1/4 x 1-1/2"
5	2900026	1	Lock Nut, 1/2-13 Nylon
6	2500011	2	Flg Mnt Brg 3/4" Peer UCFT204-12-90
7	2900080	1	Cap Screw, Hex Hd., 1/2-13 x 3-1/2"
8	2900014	4	Flat Washer, 3/8" SAE
9	2900029	4	Cap Screw, Hex Hd., 3/8-16 x 1-1/2"
10	2900018	4	Lock Nut, 3/8-16 Nylon
11	6040513	2	7/8"-14 X 2 1/4" Hex Hd. Capscrew (modified)
12	2900626	2	Jam Nut, 7/8"-14
13	6015036	1	Positraction Axle, 1" x 23-1/4"
14	6015035	2	Sprocket, 20T
15	2901015	2	Roll Pin, 1/4" x 1-3/4"

Retrofit for Speed Control & Fuel Tank Assembly, #6010444, page 5 of 9

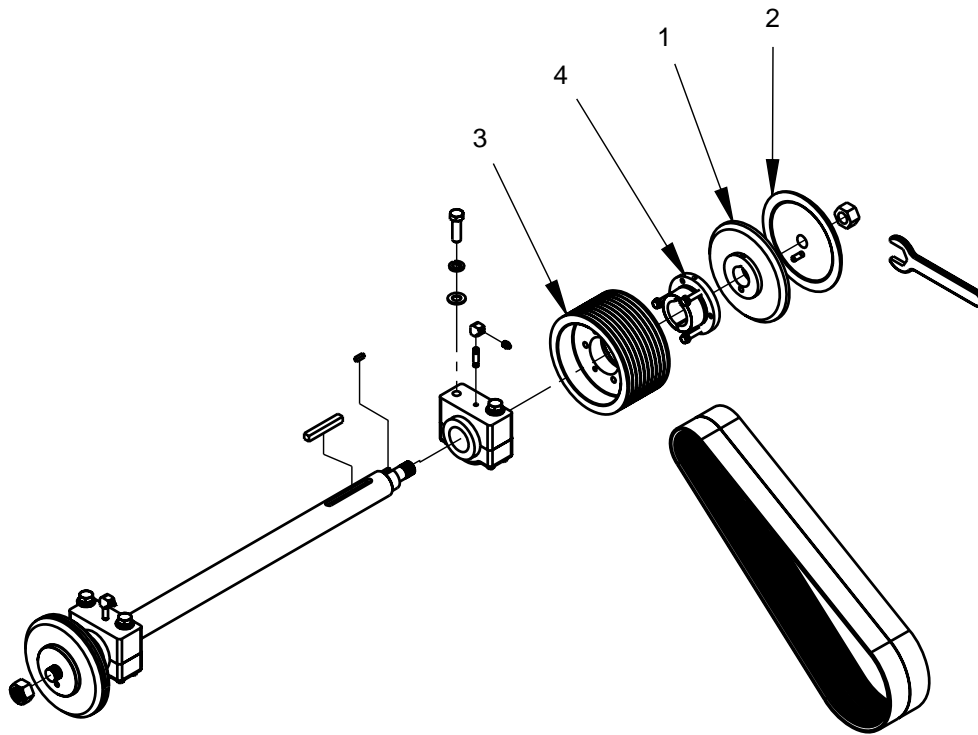


ITEM NO.	PART NUMBER	DESCRIPTION	QTY.
1	6011366	Control Grip Assembly	1
2	6011364	Control Lever Mount Weldment	1
13	2900009	Flat Washer, 1/4" SAE	4



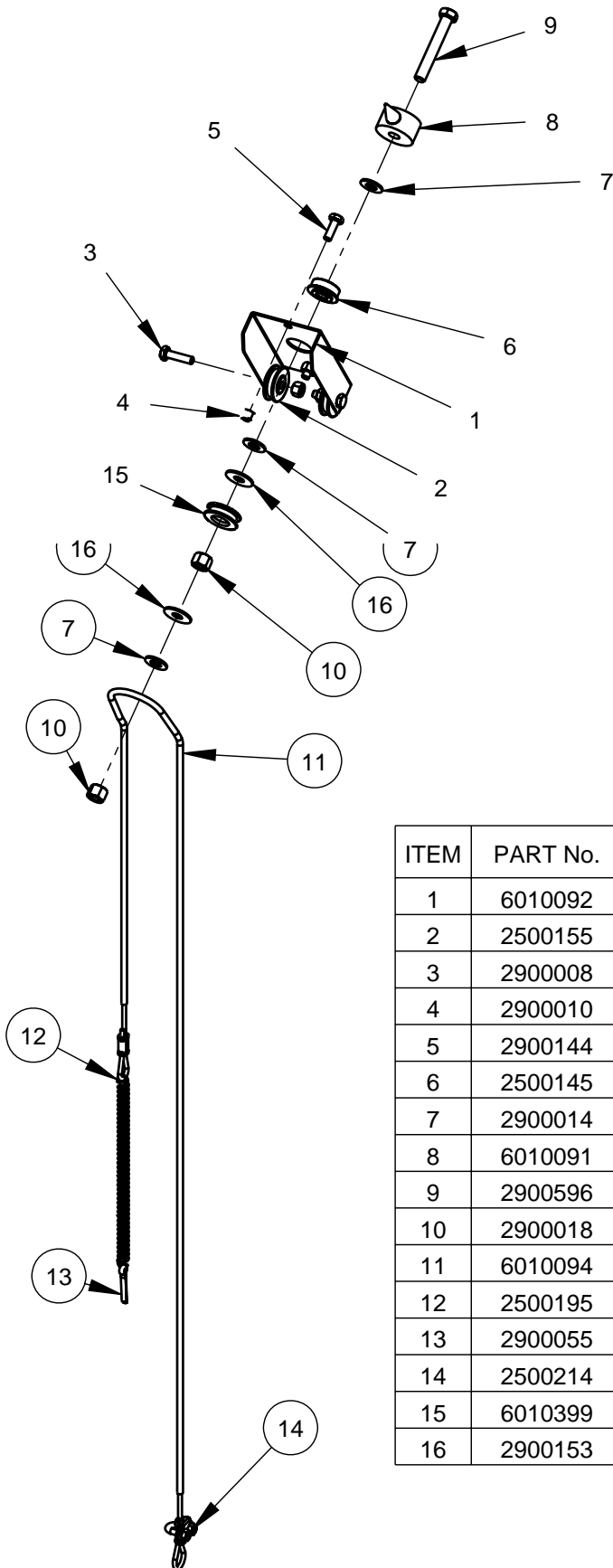
ITEM NO.	PART NUMBER	DESCRIPTION	QTY.
1	6011274	Tank Holder w/ Spring Mount	1

Blade Shaft Retrofit #6010444, page 6 of 9



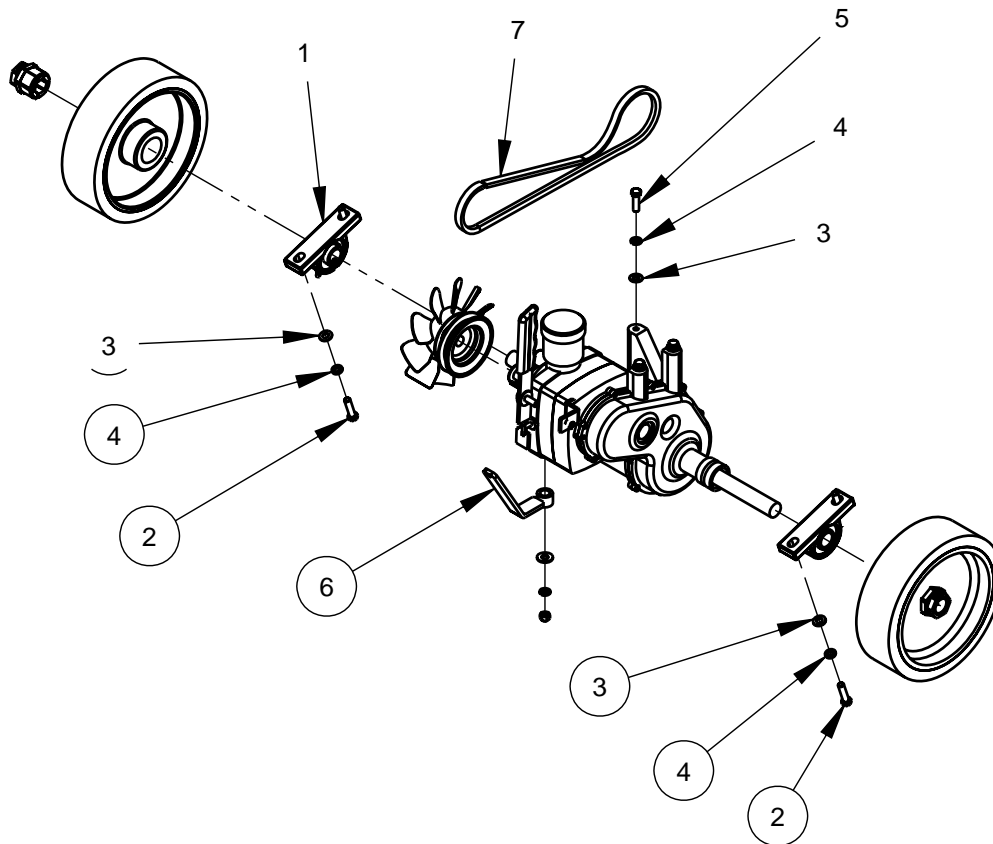
ITEM NO.	PART NUMBER	DESCRIPTION	QTY.
1	6015085	Inner Flange 8"	2
2	6015087	Outer Flange 8" w/ Pin	2
3	2500440	Sheave, 8" x 10 Groove QD Style	1
4	2500210	QD Bushing, SF x 2" w/Fasteners	1

Depth Indicator Retrofit Assembly (#6014044) #6010444, page 7 of 9



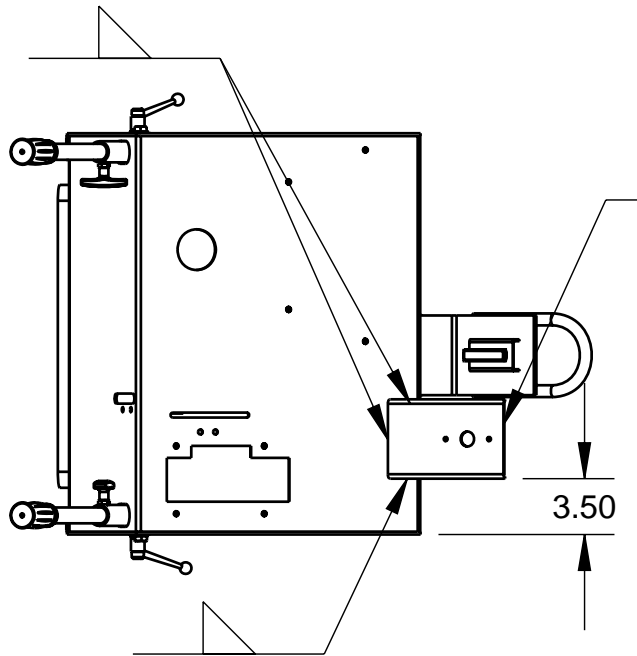
ITEM	PART No.	DESCRIPTION	QTY.
1	6010092	Depth Indicator Mount Bracket	1
2	2500155	Cable Pulley, 1-1/4"	2
3	2900008	Cap Screw, Hex Hd., 1/4-20 x 1"	2
4	2900010	Lock Nut, 1/4-20 Nylon	4
5	2900144	Cap Screw, Hex Hd., 1/4-20 x 3/4"	2
6	2500145	Flange Bearing, 3/8"	1
7	2900014	Flat Washer, 3/8" SAE	3
8	6010091	Depth Indicator Pointer	1
9	2900596	Cap Screw, Hex Hd., 3/8-16 x 2-1/2"	1
10	2900018	Lock Nut, 3/8-16 Nylon	2
11	6010094	Depth Indicator Cable with Crimp, 48"	1
12	2500195	Spring, 3/8" x 7-3/4"	1
13	2900055	Cotter Pin, 3/16" x 1"	1
14	2500214	Cable Clamp	1
15	6010399	Cable Pulley, 1-1/4"	1
16	2900153	Friction Washer, 3/8"	2

Differential Assembly #6010444, page 8 of 9

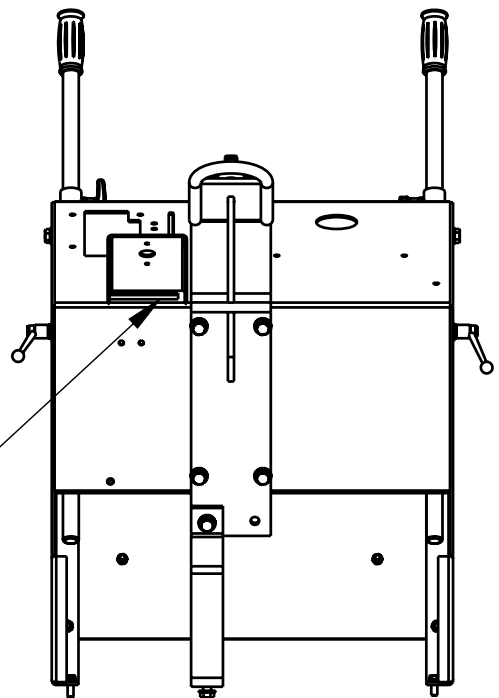
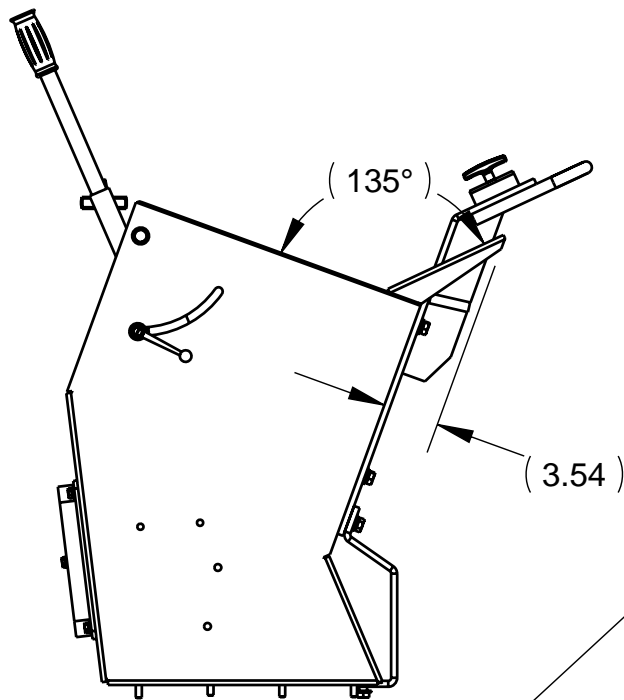


ITEM	PART No.	DESCRIPTION	6010444/QTY.
1	2500013	Bearing, 1" Pillowblock	2
2	2900029	Cap Screw, Hex Hd., 3/8-16 x 1-1/2"	4
3	2900014	Flat Washer, 3/8" SAE	7
4	2900006	Lock Washer, 3/8" Split	7
5	2900013	Cap Screw, Hex Hd., 3/8-16 x 1-1/4"	4
6	6011354	Actuation Lever	1
7	2500849	V-Belt 4L-500	1

Depth Indicator Mounting Plate Retrofit #6010444, page 9 of 9



DEPTH INDICATOR #6090778
MOUNT PLATE
(PAINT WHITE AFTER WELDING)



FOR CLEARANCE OF DEPTH INDICATOR CABLE,
CUT PLATE FOR DEPTH STOP ARM FLUSH WITH
LIFTING HOOK WELDMENT. (DEPTH STOP NO
LONGER USED)

EQUIPMENT AND PARTS WARRANTY

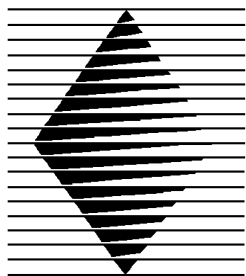
Diamond Products warrants all equipment manufactured by it against defects in workmanship or materials for a period of one (1) year from the date of shipment to Customer.

The responsibility of Diamond Products under this Warranty is limited to replacement or repair of defective parts at Diamond Products' Elyria, Ohio factory, or at a point designated by it, of such parts as shall appear to us upon inspection at such parts, to have been defective in material or workmanship, with expense for transportation and labor borne by Customer.

In no event shall Diamond Products be liable for consequential or incidental damages arising out of the failure of any Product to operate properly.

Integral units such as engines, electric motors, batteries, transmissions, etc., are excluded from this Warranty and are subject to the prime manufacturer's warranty.

THIS WARRANTY IS IN LIEU OF ALL OTHER WARRANTIES, EXPRESSED OR IMPLIED, AND ALL SUCH OTHER WARRANTIES ARE HEREBY DISCLAIMED.



DIAMOND PRODUCTS

333 Prospect Street, Elyria, Ohio 44035
(440) 323-4616 • (800) 321-5336 • Fax (440) 323-8689
www.diamondproducts.com