



# CONCRETE SAW PARTS LIST

**MODEL  
CC2500  
(Gas)**

April 2017

Part # 1801980

---

## Blade / Engine Speed (RPM) Chart Model CC2500 Concrete Saw

---

**CAUTION:** Do not exceed Bladeshift speed (RPM) shown for each blade size. Excessive Blade Speed could result in blade breakage and serious personal injury.

Gasoline Engine Speeds				
Blade Size	Bladeshift		Engine	
	No Load RPM	Sheave Size	No Load RPM	Sheave Size
14"	2,625	4.12"	3,600	3.00
18"	2,625	4.12"	3,600	3.00
20"	2,625	4.12"	3,600	3.00
24"	2,025	4.75"	3,200	3.00
26"	2,025	4.75"	3,200	3.00

Electric Motor Speeds				
Blade Size	Bladeshift		Motor	
	No Load RPM	Sheave Size	No Load RPM	Sheave Size
14"	2,625	4.12"	3,600	3.00
18"	2,625	4.12"	3,600	3.00
20"	2,625	4.12"	3,600	3.00
24"	2,275	4.75"	3,600	3.00
26"	2,275	4.75"	3,600	3.00

**CAUTION:** When changing blade size, use chart shown below for selecting items that must be changed.

BLADE SIZE	MAX DEPTH OF CUT
14"	4-3/8"
18"	6-3/8"
20"	7-3/8"
24"	9-3/8"
26"	10-3/8"

MODEL CC2500	14"	20"	26"
Blade Guard Assembly	6010950	6010952	6010954
Bladeshift Sheave (Sheave Size)	6047947 (4.12")	6047947 (4.12")	6047948 (4.75")

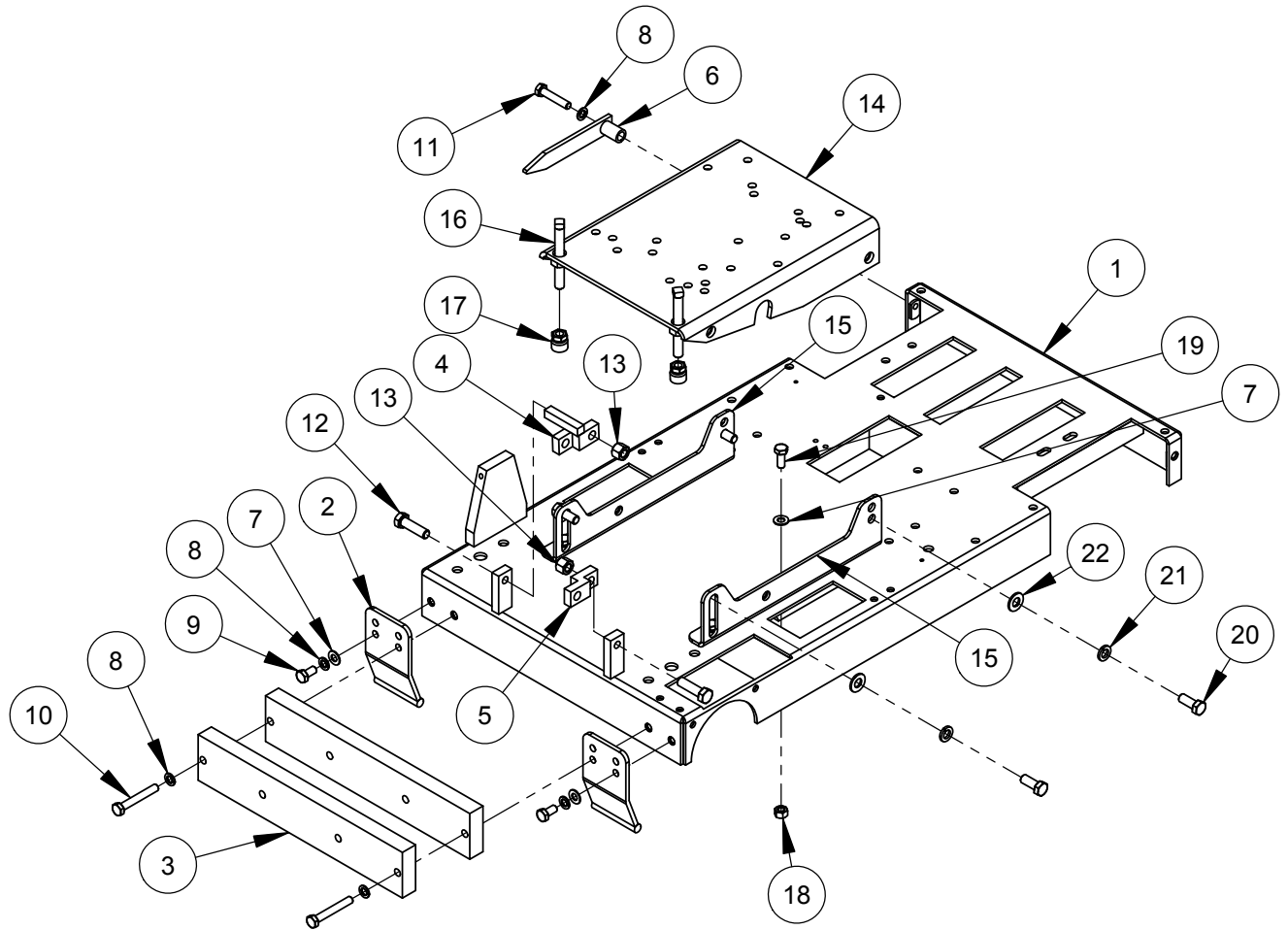
## TABLE OF CONTENTS

Quick Reference Service Filters / Belts.....	4	Spot Light Option .....	47
Frame Base Assembly .....	5	Wiring Diagram, Honda V-Twin.....	48
Upright Assembly.....	6	Water Safety Switch, Honda V-Twin .....	49
Control Panel Assembly .....	7	Water Safety Switch, Non-Honda .....	50
Belt and Shield Assembly.....	8	Electric Power Raise Option Wiring Diagram .....	51
Depth Indicator Assembly .....	9	Hydraulic Power Raise Option Wiring Diagram.....	52
Water Supply Assembly .....	10	Water Pump Option Wiring Diagram.....	53
Frame Lift Assembly .....	11	Spotlight Option Wiring Diagram .....	54
Front Pointer Assembly .....	12	Decals .....	55
Front Axle Assembly.....	13	Warranty .....	Rear Cover
Screw Feed Assembly .....	14		
Blade Shaft Assembly, 14-20" .....	16		
Blade Shaft Assembly, 26" .....	17		
Battery Assembly .....	18		
Fuel Tank Assembly .....	19		
Rear Axle Assembly .....	20		
Transmission Assembly.....	22		
Engine Assembly, 20.8HP Honda (GX630).....	24		
Engine Assembly, 20.5HP Honda (GX660).....	26		
Engine Assembly, 22.2HP Honda (GX690).....	28		
Muffler Assembly, Honda .....	30		
Engine Assembly, 25HP Kohler.....	32		
Muffler Assembly, 25HP Kohler.....	34		
Blade Guard 14" .....	36		
Blade Guard 20" .....	38		
Blade Guard 26" .....	40		
Hydraulic Power Raise Option .....	42		
Electric Power Raise Option.....	44		
Water Pump Option .....	46		

## Quick Reference Service Filters/ Belts

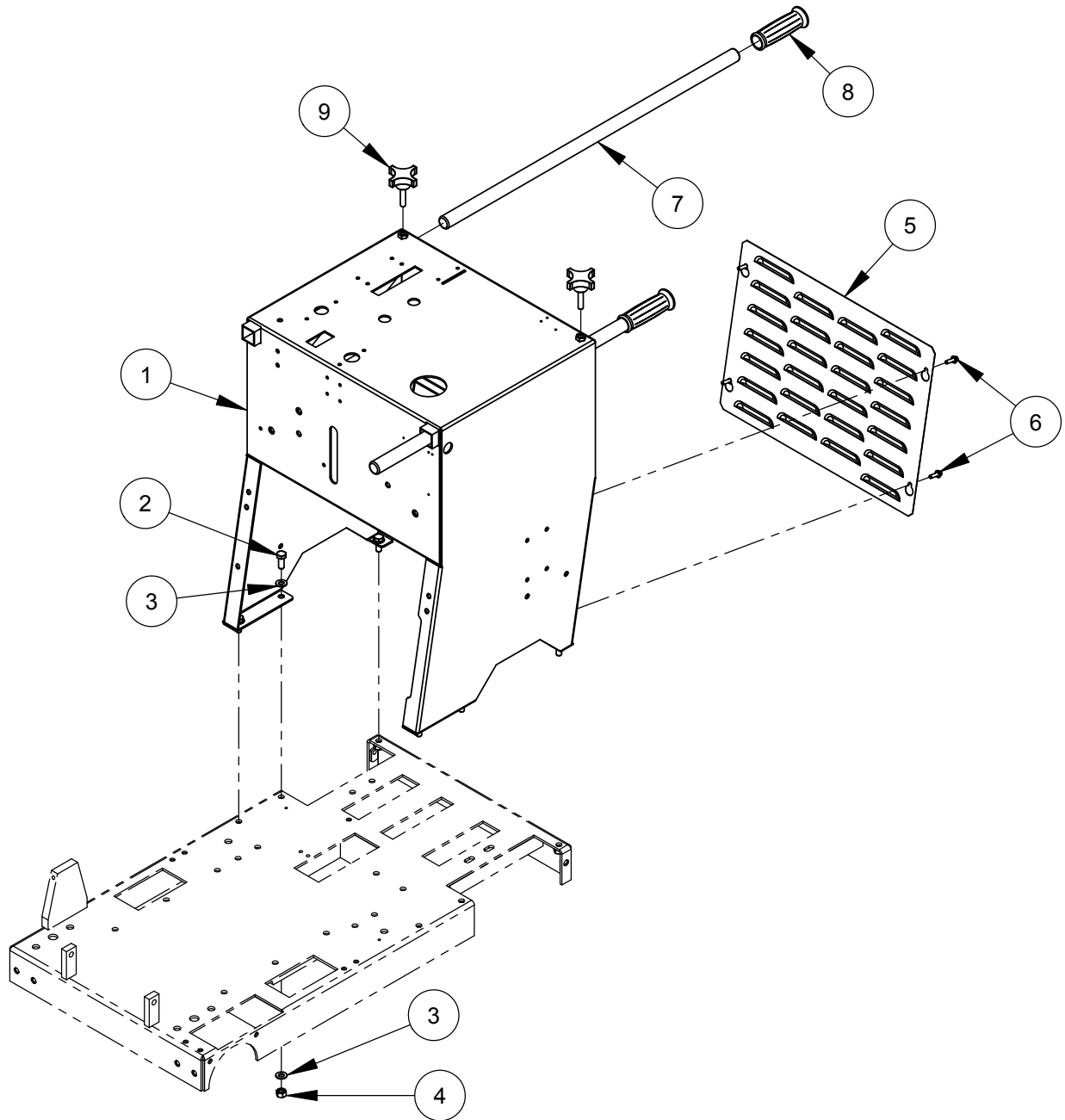
<u>DP Part No.</u>	<u>Description</u>	<u>Manufacturer's Part No.</u>
2501211	Air Filter for 18HP (GX630), 20.5 HP Honda (GX660), 22.2 HP Honda (GX690)	(Donaldson #P821575)
2704135	Air Filter for 25HP Kohler	(Gardner #2508301-S)
2703594	Fuel Filter for 18HP (GX630), 20.5 HP Honda (GX660), 22.2HP Honda (GX690)	(Honda #16910-Z6L-003)
2704137	Fuel Filter for 25HP Kohler	(Gardner #KH2405013-S)
2702741	Oil Filter for 18HP (GX630), 20.5 HP Honda (GX660) 22.2 HP Honda (GX690)	(Honda #15400-PLM-A01PE)
2704136	Oil Filter for 25HP Kohler	(Gardner #5205002-S)
2500792	Blade Shaft Belt (4) for Honda Engines	(Gates #3VX400)
2500793	Blade Shaft Belt (4) for Kohler Engine	(Gates #3VX425)
2500849	Transmission Belt for All Gas Engines	(Gates #4L-500)

## Frame Base Assembly #6047700



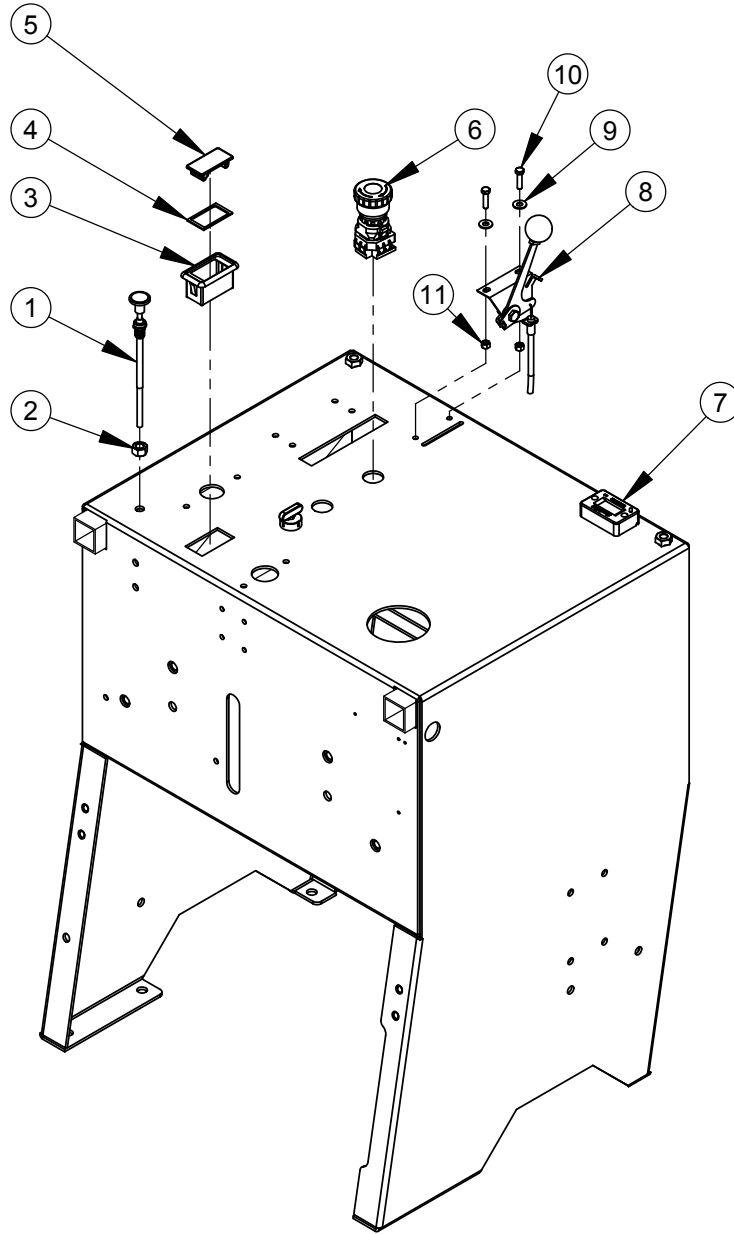
ITEM PART	NO.	QTY.	DESCRIPTION
1	6047900A	1	Frame Base
2	6011021	2	Skid Plate
3	6048067	2	Saw Weight, 13 Pound
4	6047949	1	Pointer Extension with Stop
5	6047976	1	Pointer Extension
6	6010022	1	Rear Pointer
7	2900014	8	Flat Washer, 3/8" SAE
8	2900321	5	Lock Washer, M10 Split
9	2900314	2	Cap Screw, Hex Hd., M10-1.5 x 20mm
10	2900334	2	Cap Screw, Hex Hd., M10-1.5 x 70mm
11	2900318	1	Cap Screw, Hex Hd., M10-1.5 x 50mm
12	2900139	2	Cap Screw, Hex Hd., 1/2-13 x 1-3/4"
13	2900026	2	Lock Nut, 1/2-13 Nylon
14	6041164	1	Engine Base Assembly
15	6047909	2	Engine Base Mount
16	2900027	2	Set Screw, Sq. Hd., 1/2-13 x 4"
17	2900722	2	Swivel Pad, 1/2-13
18	2900304	6	Lock Nut, M10-1.5 Nylon Insert
19	2900333	6	Cap Screw, Hex Hd., M10-1.5 x 25mm
20	2900330	4	Cap Screw, Hex Hd., M12-1.75 x 30mm
21	2900084	4	Lock Washer, 1/2" Split
22	2900058	4	Flat Washer, 1/2" SAE

## Upright Assembly #6047701



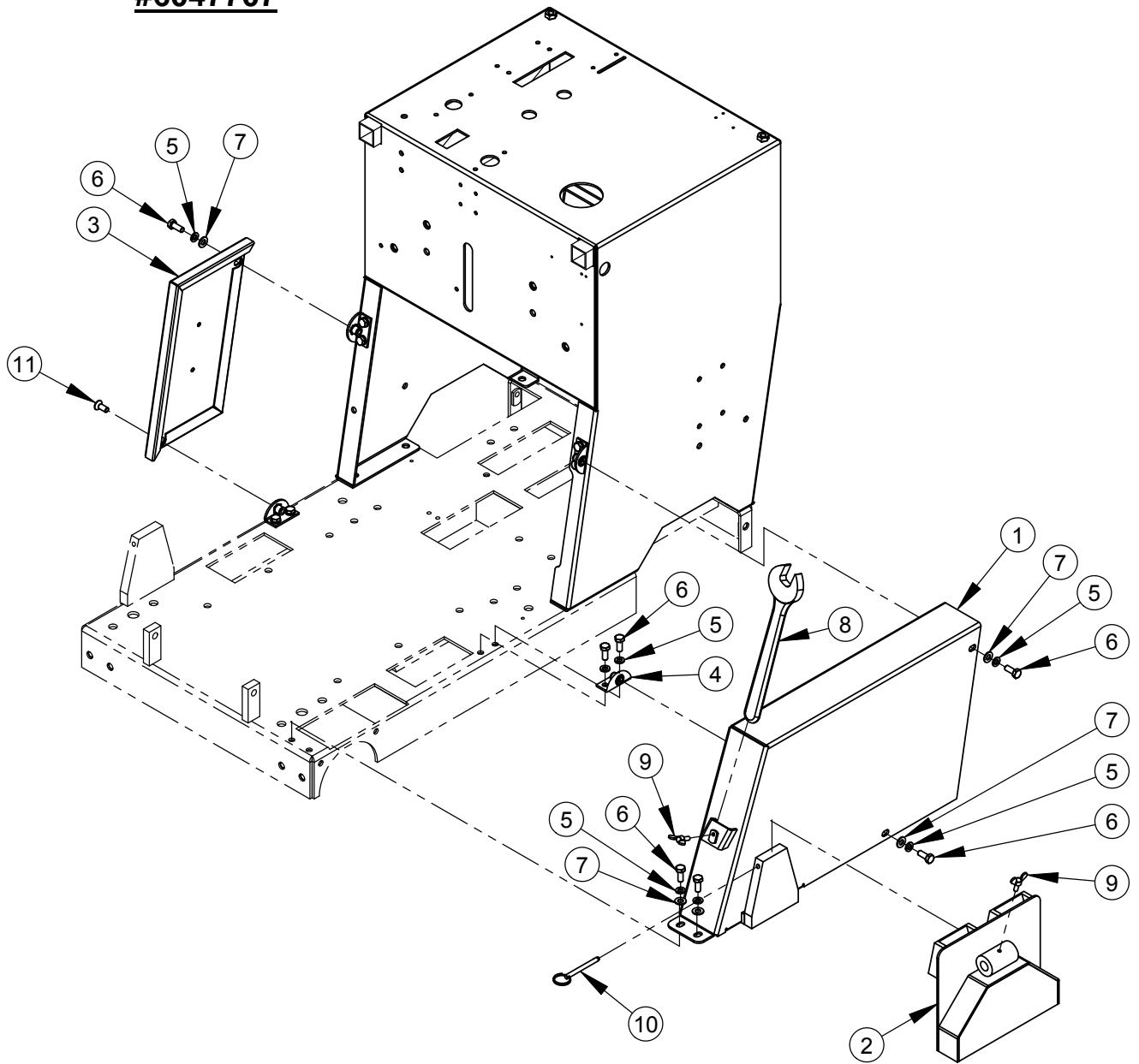
ITEM PART	NO.	QTY.	DESCRIPTION
1	6047901	1	Frame Upright Weldment
2	2900333	6	Cap Screw, Hex Hd., M10 x 25mm
3	2900014	12	Flat Washer, 3/8" SAE
4	2900304	6	Lock Nut, M10-1.5 Nylon Insert
5	6047919	1	Rear Cover Screen
6	2900328	4	Cap Screw, Hex Flange Hd., M6 x 20mm
7	6013054	2	Handle Bar, 30" Long
8	2500636	2	Handle Grip
9	2900234	2	Hand Lock Knob, 3/8"-16

## Control Panel Assembly (Gas) #6047708



ITEM	PART NO.	QTY.	DESCRIPTION
1	2500377	1	Choke Cable
2	2900148	1	Hex Nut, 3/8-24
3	2800260	1	Rocker Mount Panel
4	2800261	1	Rocker Panel Gasket
5	2800262	1	Rocker Mount Panel Plug
6	2801367	1	E-Stop Switch
7	2801502	1	Tach/Hour Meter, W/#6 Screws
8	2500810	1	Throttle Control, 36"
9	2900016	2	Flat Washer, #10 USS
10	2900309	2	Cap Screw, Hex Hd., M5-0.8 x 20mm
11	2900301	2	Lock Nut, M5-0.8 Nylon Insert

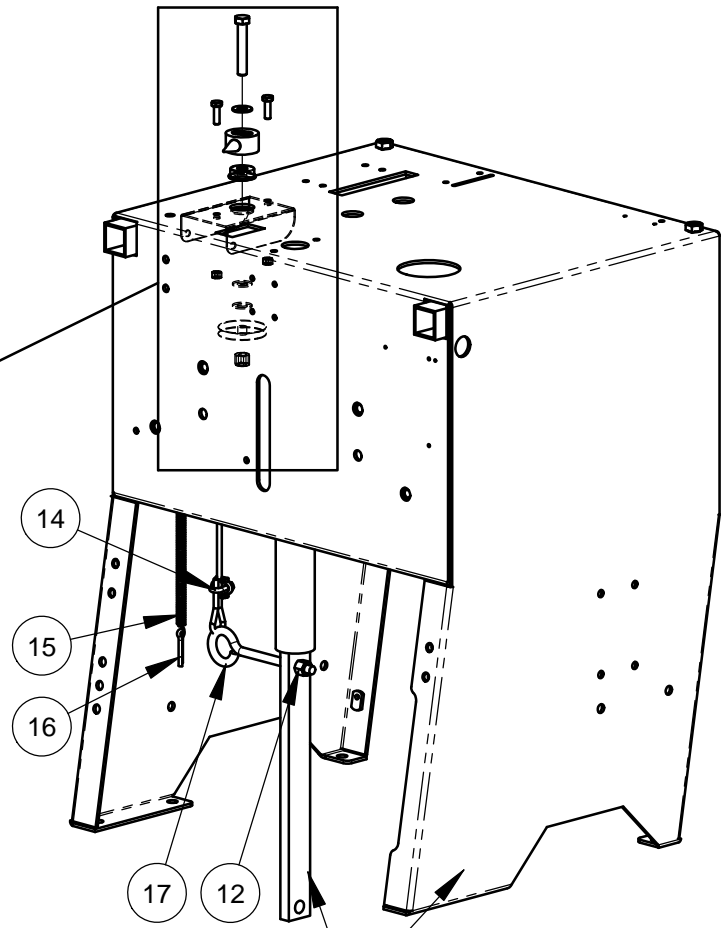
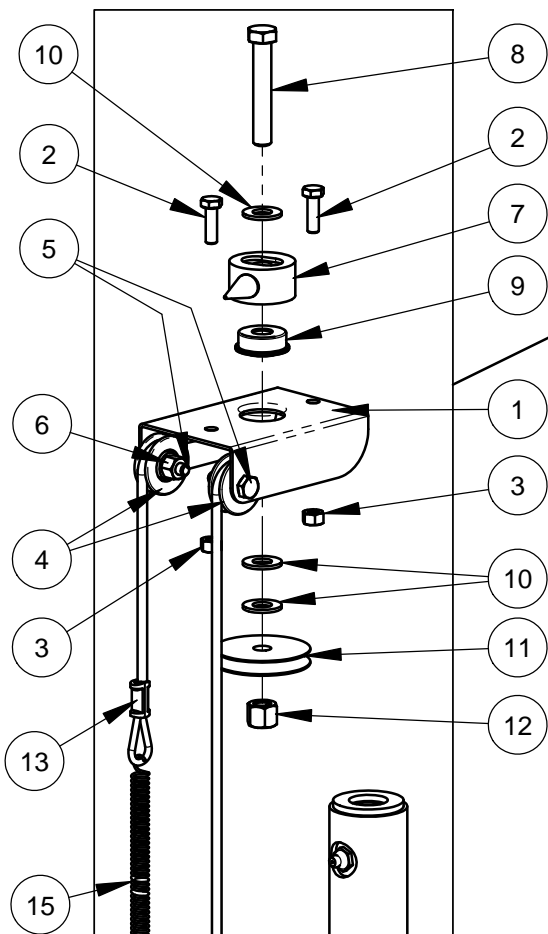
**Belt and Shield Guard Assembly**  
**#6047707**



ITEM	PART NO.	QTY.	DESCRIPTION
1	6047917A	1	Belt Guard Weldment
2	6010555	1	Shaft/Flange Guard (Narrow)
3	6048062	1	Slurry Shield
4	6048064	4	Guard Mounting Tab Assembly, 90 Deg.
5	2900031	13	Lock Washer, 5/16" Split
6	2900329	13	Cap Screw, Hex Hd., M8-1.25 x 20mm
7	2900022	5	Flat Washer, 5/16" SAE
8	2500211	1	Wrench, 15/16" Open End
9	2900307	2	Wing Screw, M6 x 16mm
10	2900156	1	Lock Pin with Ring
11	2900611	1	Cap Screw, Flat Hd., M8-1.25 x 20mm



**6047946 CC2500**  
**Depth Indicator Assembly**

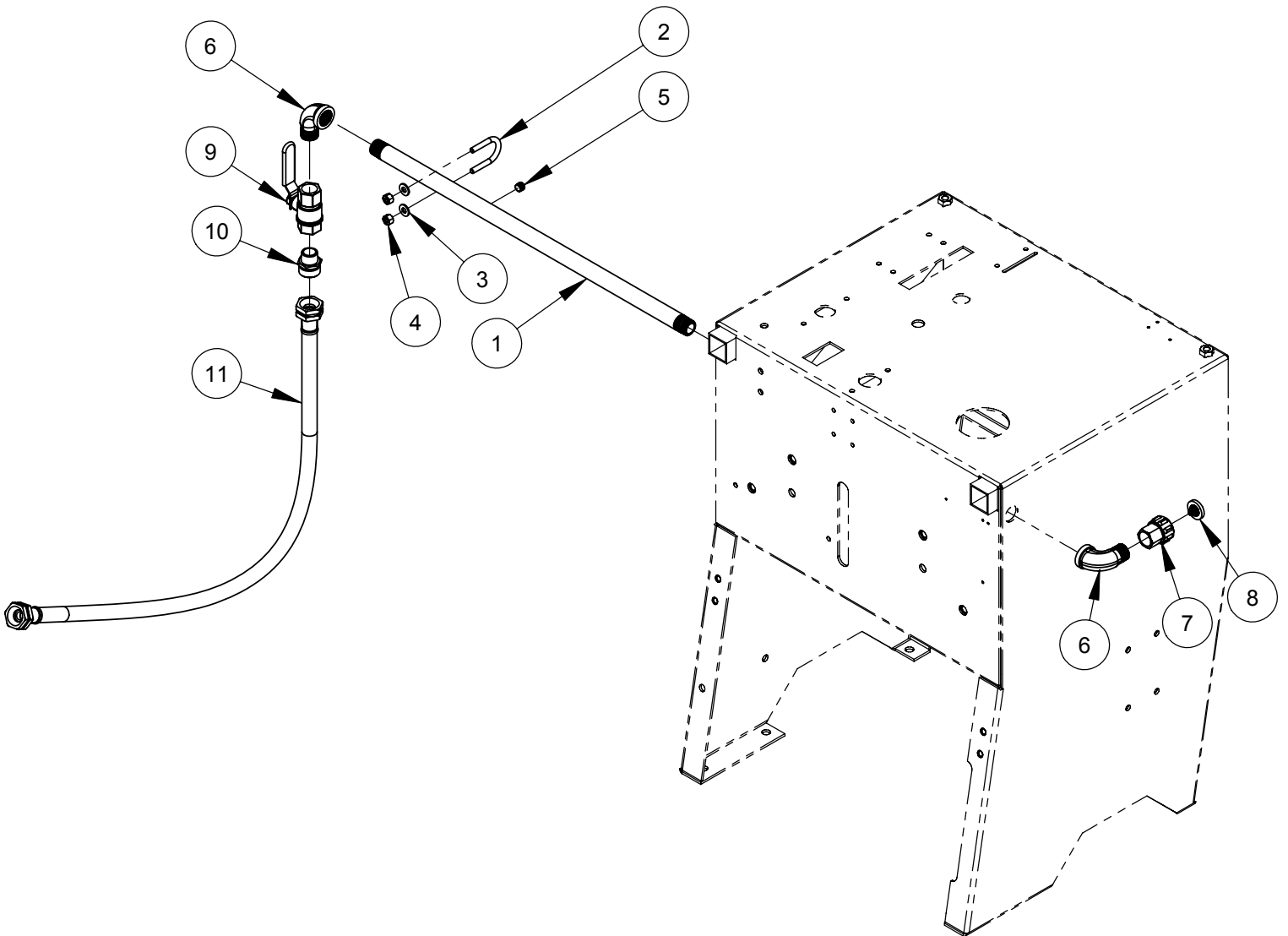


Shown as Reference

**DETAIL A**  
**SCALE 1 : 4**

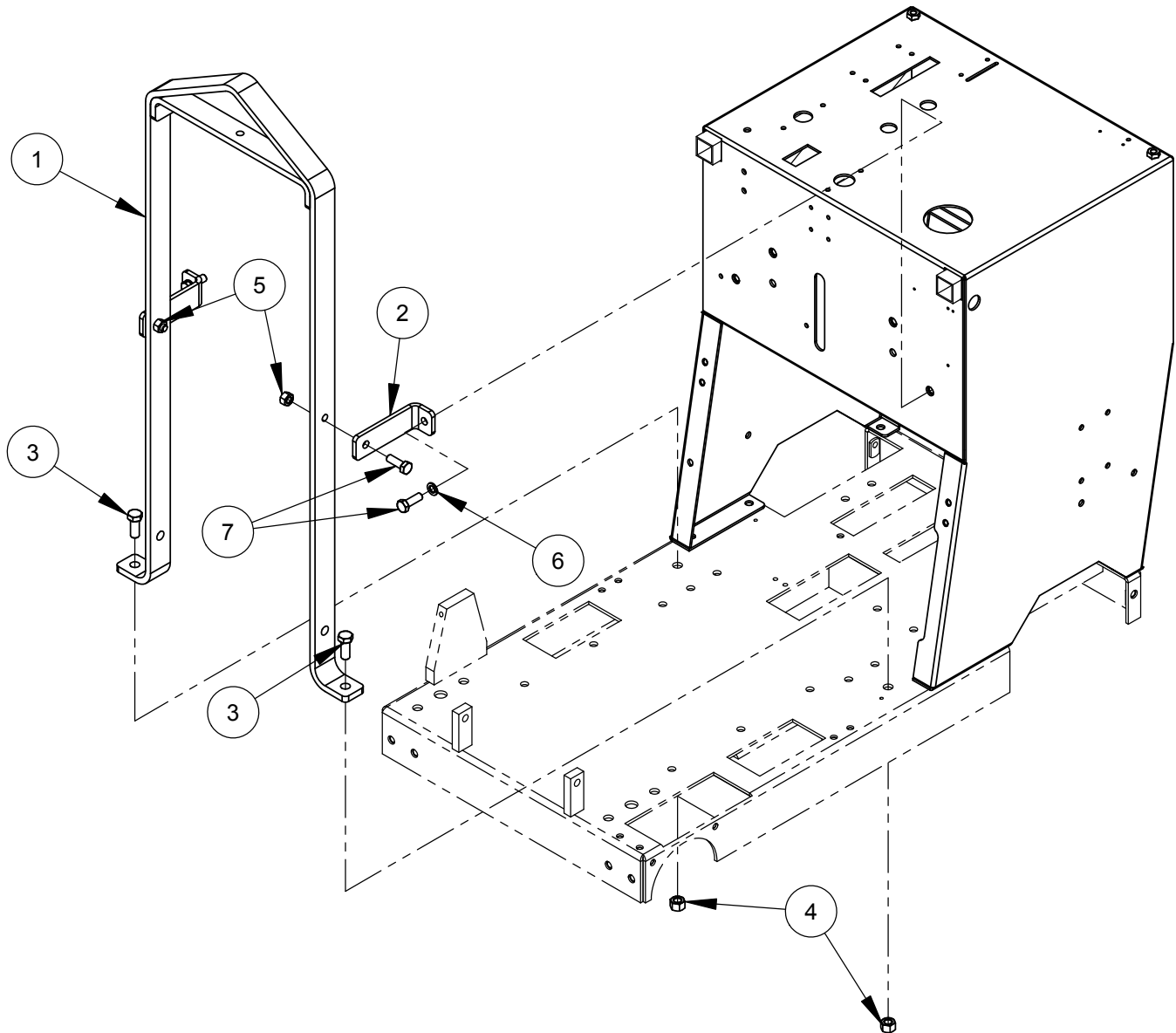
ITEM	PART NO.	QTY.	DESCRIPTION
1	6010092	1	Depth Indicator Mount Bracket
2	2900310	2	Cap Screw, Hex Hd., M6-1.0 x 20mm
3	2900302	2	Lock Nut, M6-1.0 Nylon Insert
4	2500155	2	Cable Pulley, 1-1/4"
5	2900008	2	Cap Screw, Hex Hd., 1/4-20 x 1"
6	2900010	2	Lock Nut, 1/4-20 Nylon
7	6010091	1	Depth Indicator Pointer
8	2900079	1	Cap Screw, Hex Hd., 3/8-16 x 2-1/4"
9	2500145	1	Flange Bearing, 3/8"
10	2900014	3	Flat Washer, 3/8" SAE
11	6010093	1	Cable Pulley, 2"
12	2900018	2	Locknut, 3/8-16, Nylon
13	6047989	1	Depth Indicator Cable
14	2500214	1	Cable Clamp
15	2500799	1	Depth Indicator Spring 11"
16	2900055	1	Cotter Pin, 3/16" x 1"
17	2900964	1	Eyebolt, 3/8-16 x 6"

## Water Supply Assembly #6047703



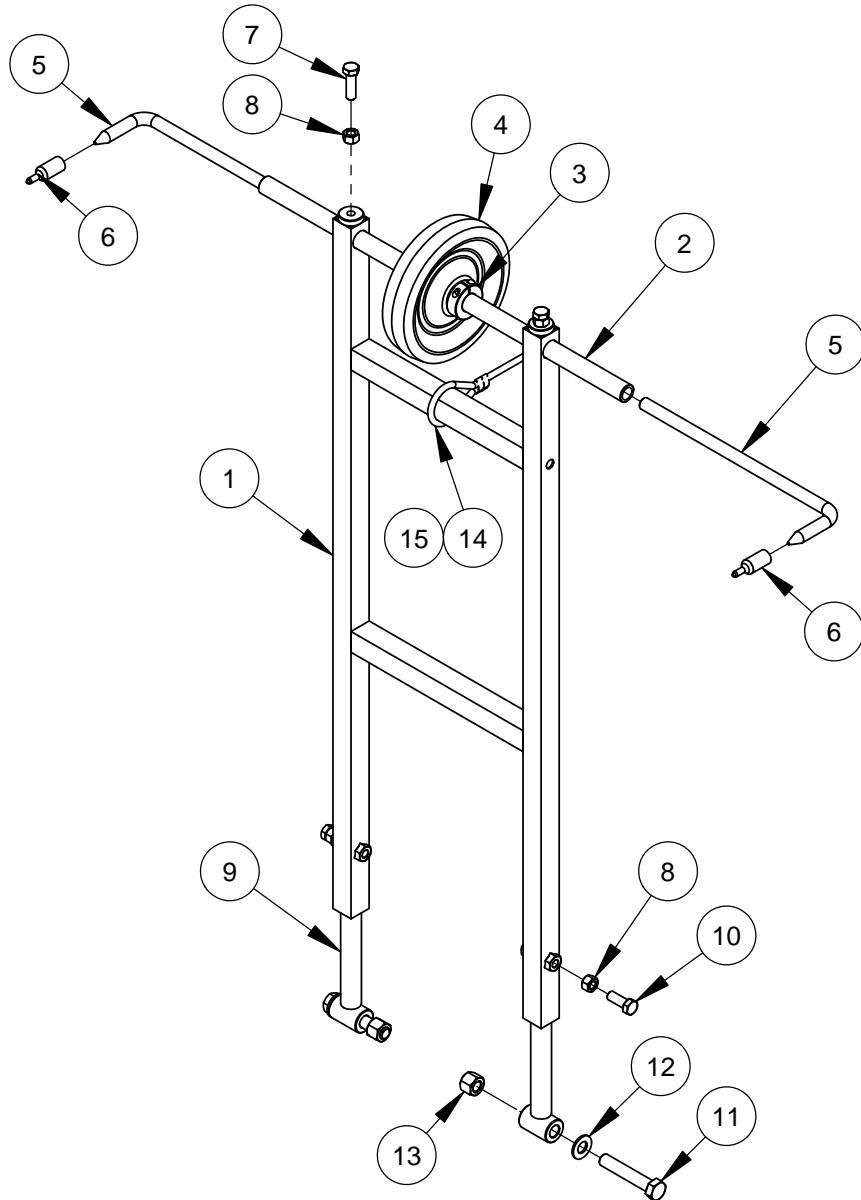
ITEM PART	NO.	QTY.	DESCRIPTION
1	6047938	1	Water Supply Tube
2	2900241	1	U-Bolt, 1/2" Pipe
3	2900009	2	Flat Washer, 1/4" SAE
4	2900010	2	Lock Nut, 1/4-20 Nylon
5	3200001	1	Plug, 1/8" NPT
6	3200013	2	Street Elbow, 1/2" NPT
7	3200022	1	Fitting, 1/2" F. Pipe to 3/4" F. Garden
8	3200025	1	Hose Filter Washer
9	3200027	1	Water Valve
10	3200155	1	Fitting, 1/2" M. Pipe to 3/4" M. Garden
11	6010021	1	Water Hose Assembly, 42" Long

## Frame Lift Assembly #6047706



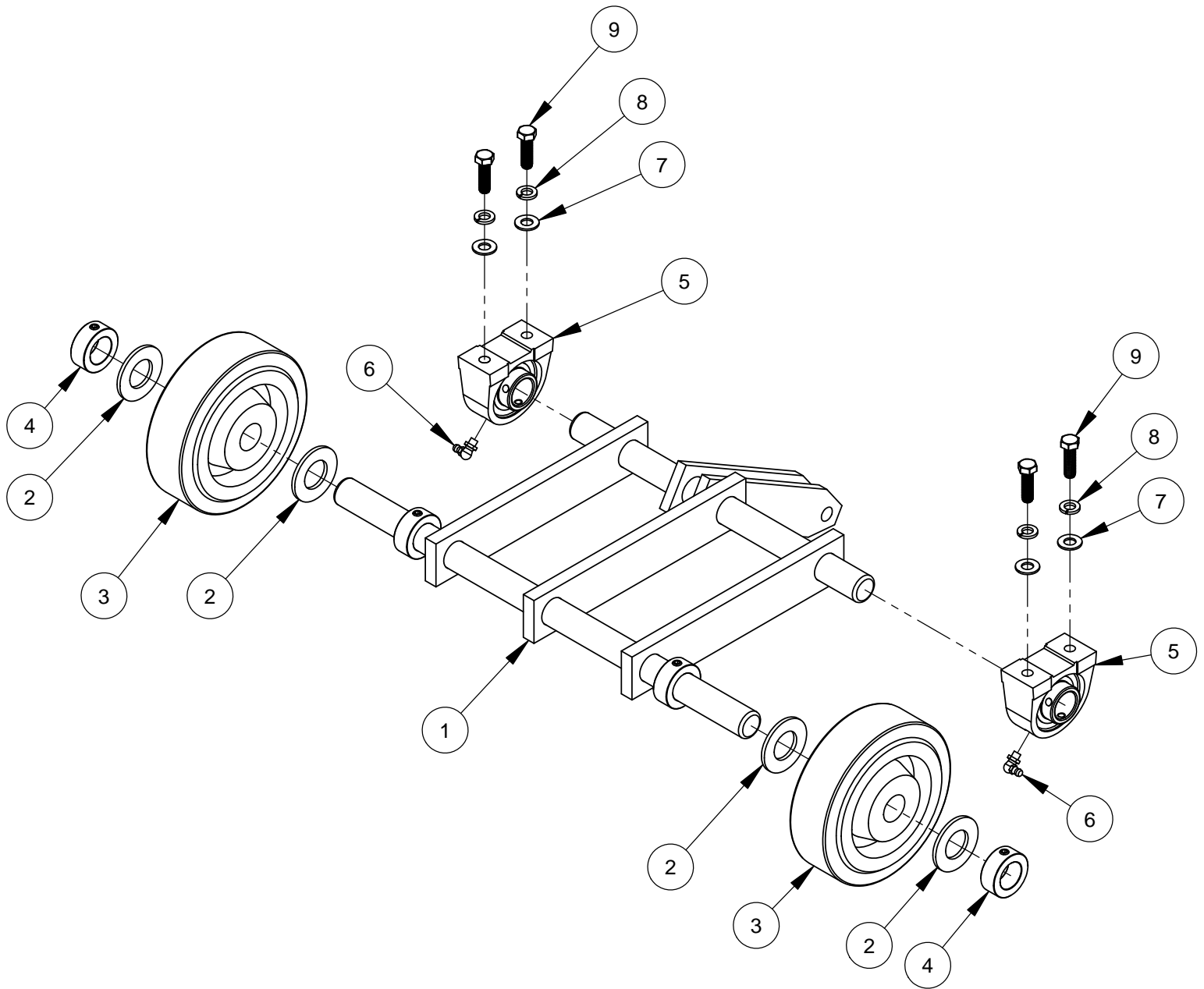
ITEM PART	NO.	QTY.	DESCRIPTION
1	6047952	1	Frame Lift
2	6047953	2	Frame Lift Brace
3	2900330	2	Cap Screw, Hex Hd., M12-1.75 x 30mm
4	2900327	2	Lock Nut, M12-1.75 Nylon Insert
5	2900304	2	Lock Nut, M10-1.5 Nylon Insert
6	2900321	2	Lock Washer, M10 Split
7	2900223	4	Cap Screw, Hex Hd., M10-1.5 x 30mm

## Dual Front Pointer Assembly #6011540



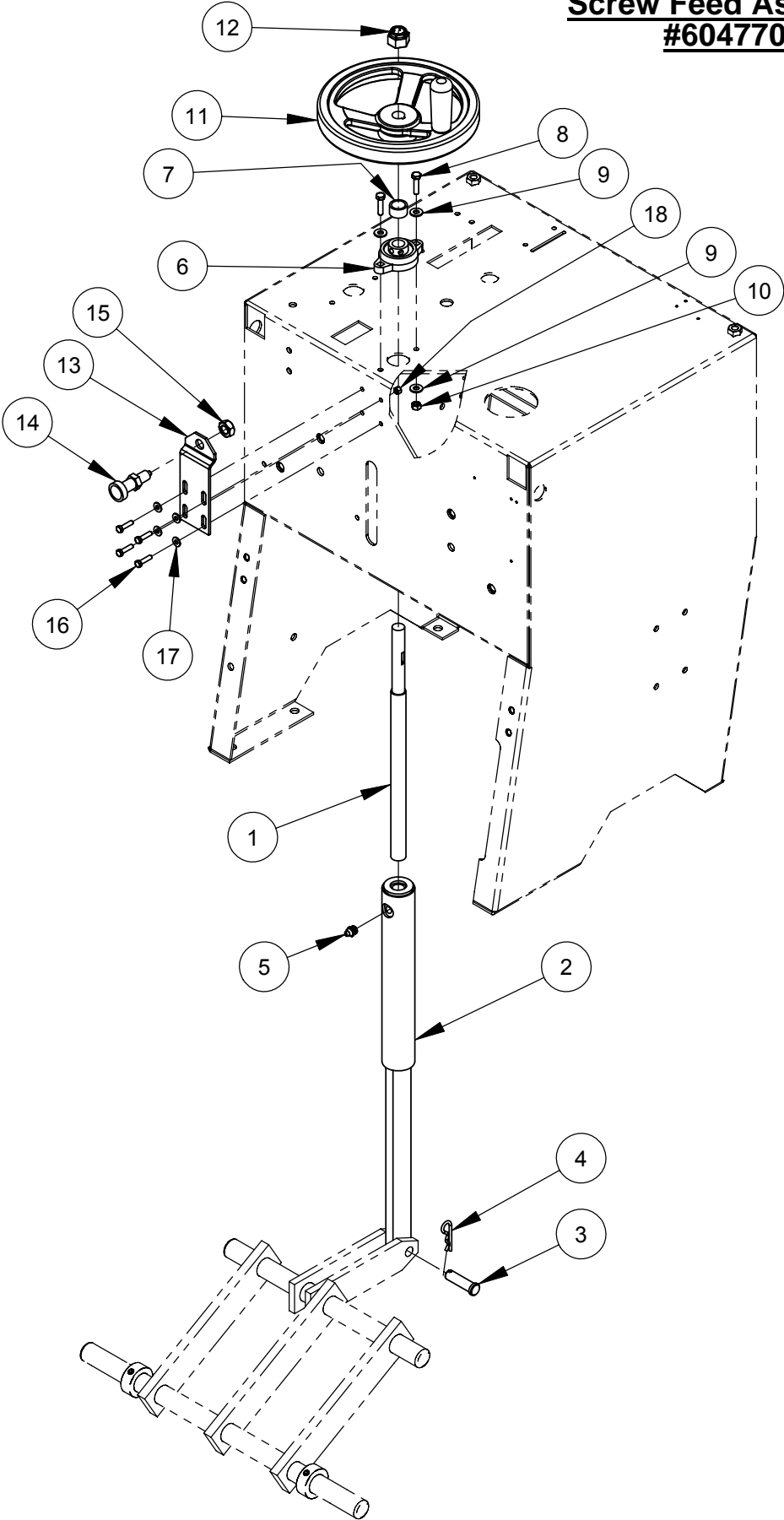
ITEM	PART NO.	QTY.	DESCRIPTION
1	6011537	1	Front Pointer Frame
2	6011539	1	Pointer Tube, 20"
3	2504577	2	Shaft Collar, 3/4" Split
4	2504581	1	Wheel, 6"
5	6011535	2	Front Pointer Rod, 11"
6	2500740	2	Pointer Cap
7	2900013	2	Cap Screw, Hex Hd., 3/8-16 x 1-1/4"
8	2900033	4	Hex Nut, 3/8-16
9	6011152	2	Front Pointer Arm
10	2900005	2	Cap Screw, Hex Hd., 3/8-16 x 1"
11	2900105	2	Cap Screw, Hex Hd., 1/2-13 x 2-3/4"
12	2900239	2	Friction Washer, 1/2"
13	2900026	2	Lock Nut, 1/2-13 Nylon
14	6017241	1	Pointer Rope 11 Foot
15	3200221	2	Pinch Clamp, Two Ear

## Front Axle Assembly #6047936



ITEM	PART NO.	QTY.	DESCRIPTION
1	6047902	1	Front Axle Weldment
2	2900295	4	Flat Washer, 1" SAE
3	2500299	2	Wheel, 6" X 2" X 1"
4	2500009	2	Set Collar, 1" ID
5	2500732	2	Pillow Block Bearing 1"
6	2900061	2	Grease Fitting, 1/4-28 x 90 Degree
7	2900014	4	Flat Washer, 3/8" SAE
8	2900006	4	Lock Washer, 3/8" Split
9	2900013	4	3/8-16 X 1.25" Hex Cap Screw

**Screw Feed Assembly**  
**#6047702**

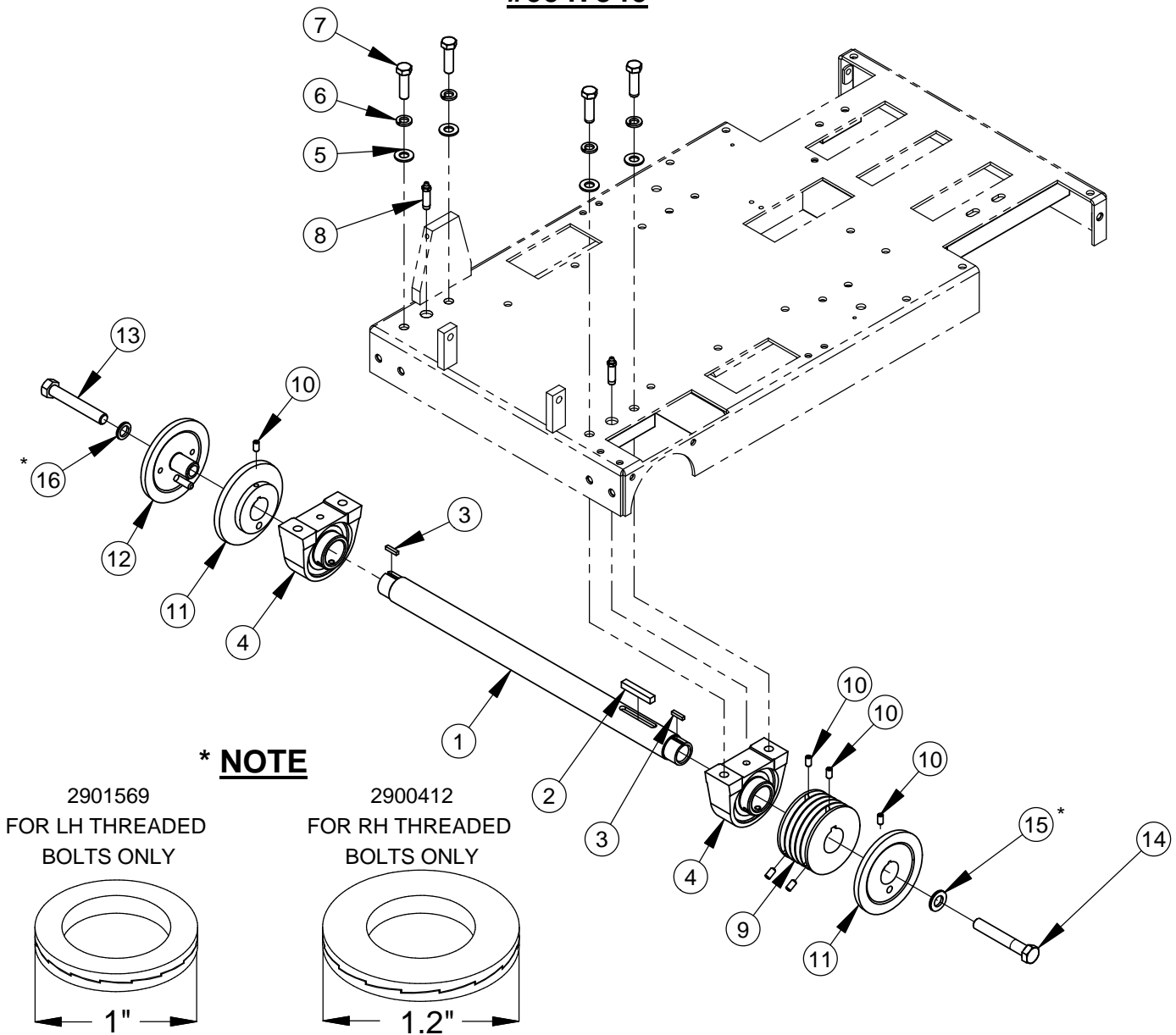


**Screw Feed Assembly**  
**#6047702**

ITEM PART	NO.	QTY.	DESCRIPTION
1	6047929	1	Adjustment Screw
2	6047927	1	Adjustment Shaft
3	2900354	1	Clevis Pin, 1/2" x 1-3/4"
4	2900276	1	Hairpin Cotter, 1/8" x 1/2" to 3/4"
5	2900062	1	Grease Fitting, 1/8" NPT
6	2500807	1	Bearing, 5/8", Two Bolt Flange
7	6047931	1	Spacer Tube 7/8 x 1/2
8	2900311	2	Cap Screw, Hex Hd., M6 x 25mm
9	2900009	4	Flat Washer, 1/4" SAE
10	2900302	2	Lock Nut, M6 Nylon
11	2500800	1	Handwheel, 8" x 5/8"
12	2900355	1	Lock Nut, 5/8-18, Flex Top
13	6047216	1	Bracket, Handwheel Lock
14	2400138	1	Indexing Plunger, 1/2-13 UNC
15	2900129	1	Jam Nut, 1/2-13
16	2900309	4	Cap Screw, Hex Hd., M5 x 20mm
17	2900016	4	Flat Washer, #10 USS
18	2900301	4	Lock Nut, M5 Nylon

# Blade Shaft Assembly (14, 20" Gas/Electric, 26" Hydraulic)

## #6047940



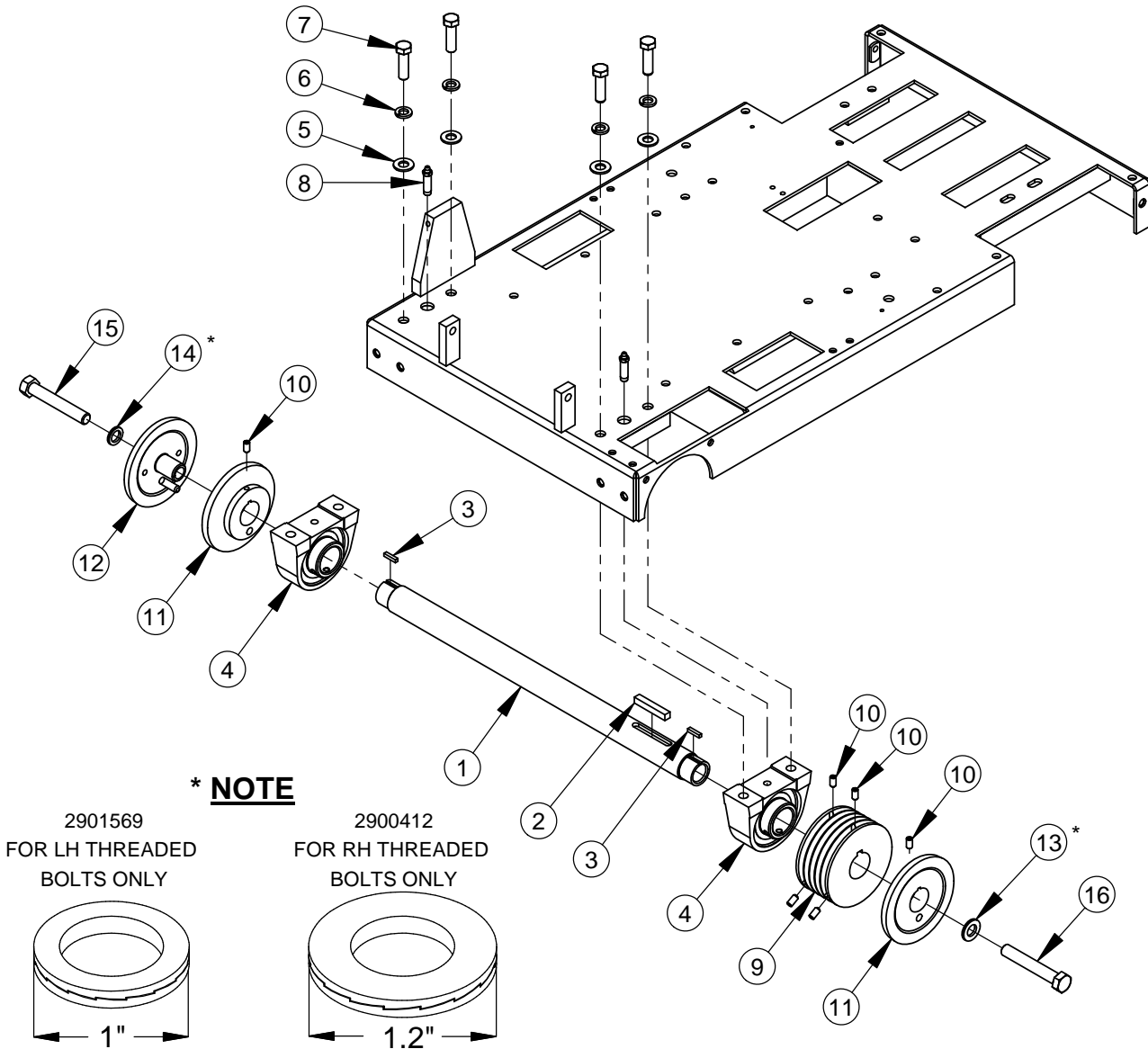
ITEM	PART NO.	QTY.	DESCRIPTION
1	6047905	1	Blade Shaft
2	6047959	1	Key, 3/8" Sq. x 2-1/4"
3	6047978	2	Key, 3/16" Sq. x 27/32"
4	2500731	2	Pillow Block Bearing 1-1/2"
5	2900058	4	Flat Washer, 1/2" SAE
6	2900084	4	Lock Washer, 1/2" Split
7	2900139	4	Cap Screw, Hex Hd., 1/2-13 x 1-3/4"
8	2900264	2	Grease Fitting, 1/8" NPT x 1-3/4"
9	6047947	1	Sheave, 4.12" x 1-1/2" Bore
10	2900418	6	Set Screw, Soc. Hd., 5/16-18 x 5/8"
11	6047906	2	Inner Flange 5"
12	6047907	1	Outer Flange 5" with Pin
13	2900130	1	Cap Screw, Hex Hd., 5/8-11 x 4" LH
14	2900146	1	Cap Screw, Hex Hd., 5/8-11 x 4"
15	2900412	1	Lock Washer, Wedge 5/8"
16	2901569	1	Lock Washer, Wedge 5/8" LH

\* See Note

\* See Note



**Blade Shaft Assembly (26" Gas/Electric)**  
**#6047941**

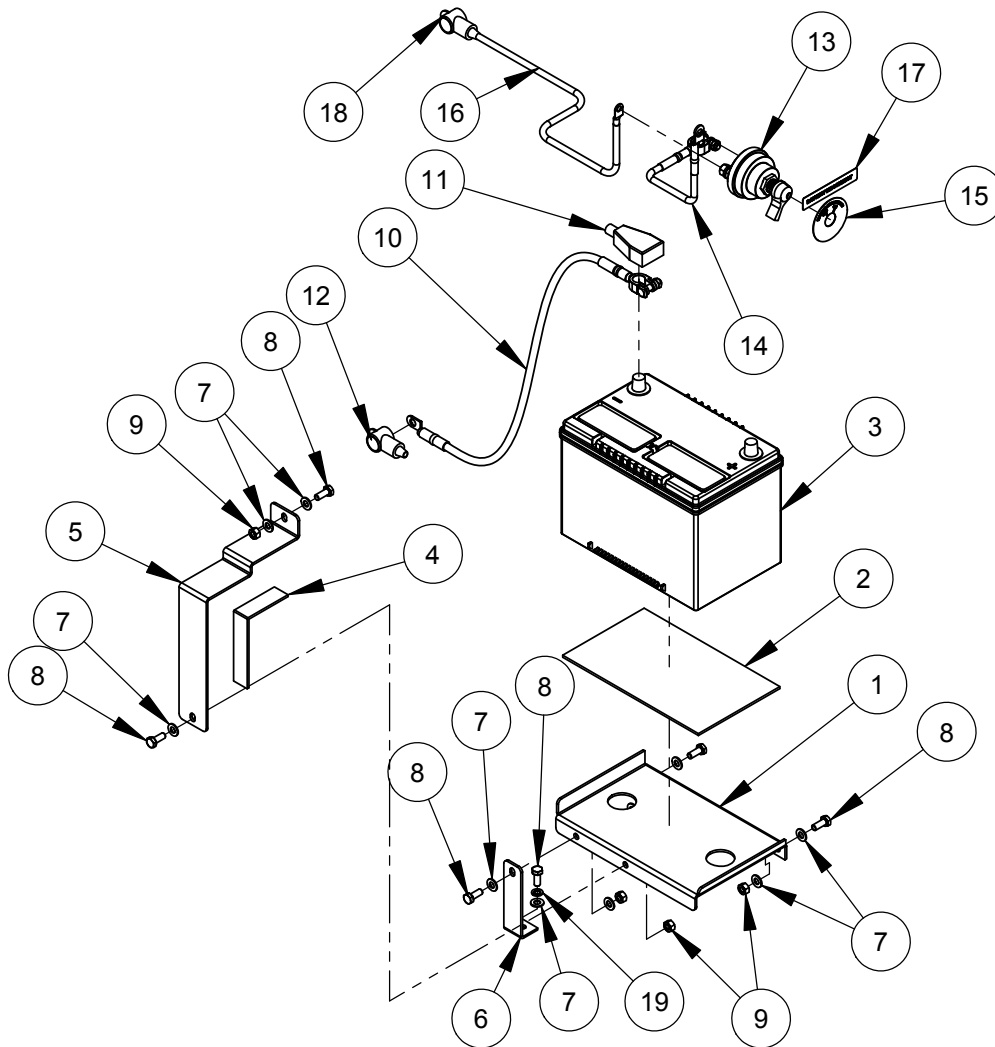


ITEM	PART NO.	QTY.	DESCRIPTION
1	6047905	1	Blade Shaft
2	6047959	1	Key, 3/8" Sq. x 2-1/4"
3	6047978	2	Key, 3/16" Sq. x 27/32"
4	2500731	2	Pillow Block Bearing 1-1/2"
5	2900058	4	Flat Washer, 1/2" SAE
6	2900084	4	Lock Washer, 1/2" Split
7	2900139	4	Cap Screw, Hex Hd., 1/2-13 x 1-3/4"
8	2900264	2	Grease Fitting, 1/8" NPT x 1-3/4"
9	6047948	1	Sheave, 4.75" x 1-1/2" Bore
10	2900418	6	Set Screw, Soc. Hd., 5/16-18 x 5/8"
11	6047906	2	Inner Flange 5"
12	6047907	1	Outer Flange 5" with Pin
13	2900412	1	Lock Washer, Wedge 5/8"
14	2901569	1	Lock Washer, Wedge 5/8" LH
15	2900130	1	Cap Screw, Hex Hd., 5/8-11 x 4" LH
16	2900146	1	Cap Screw, Hex Hd., 5/8-11 x 4"

\* See Note

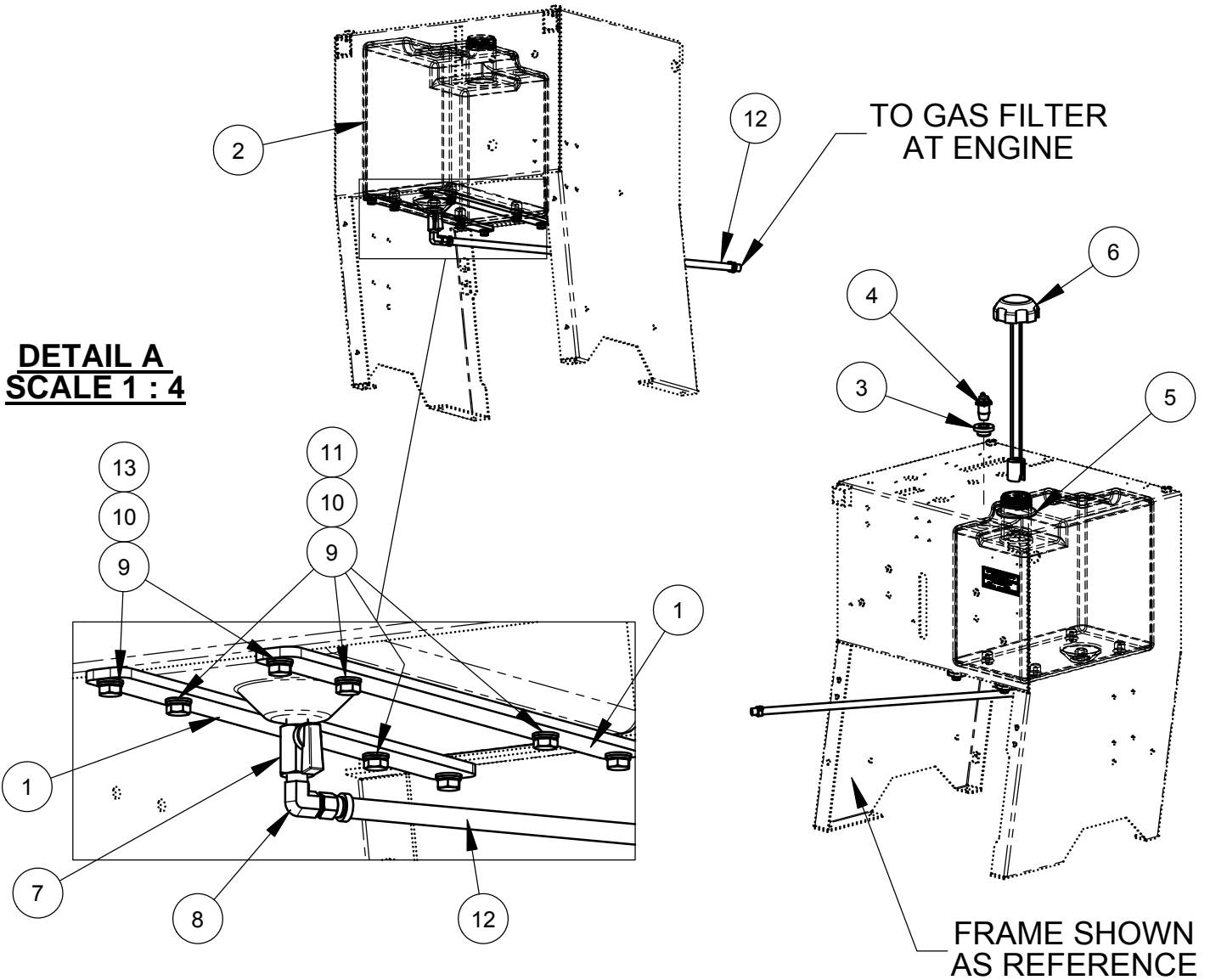
\* See Note

## Battery Assembly #6047958



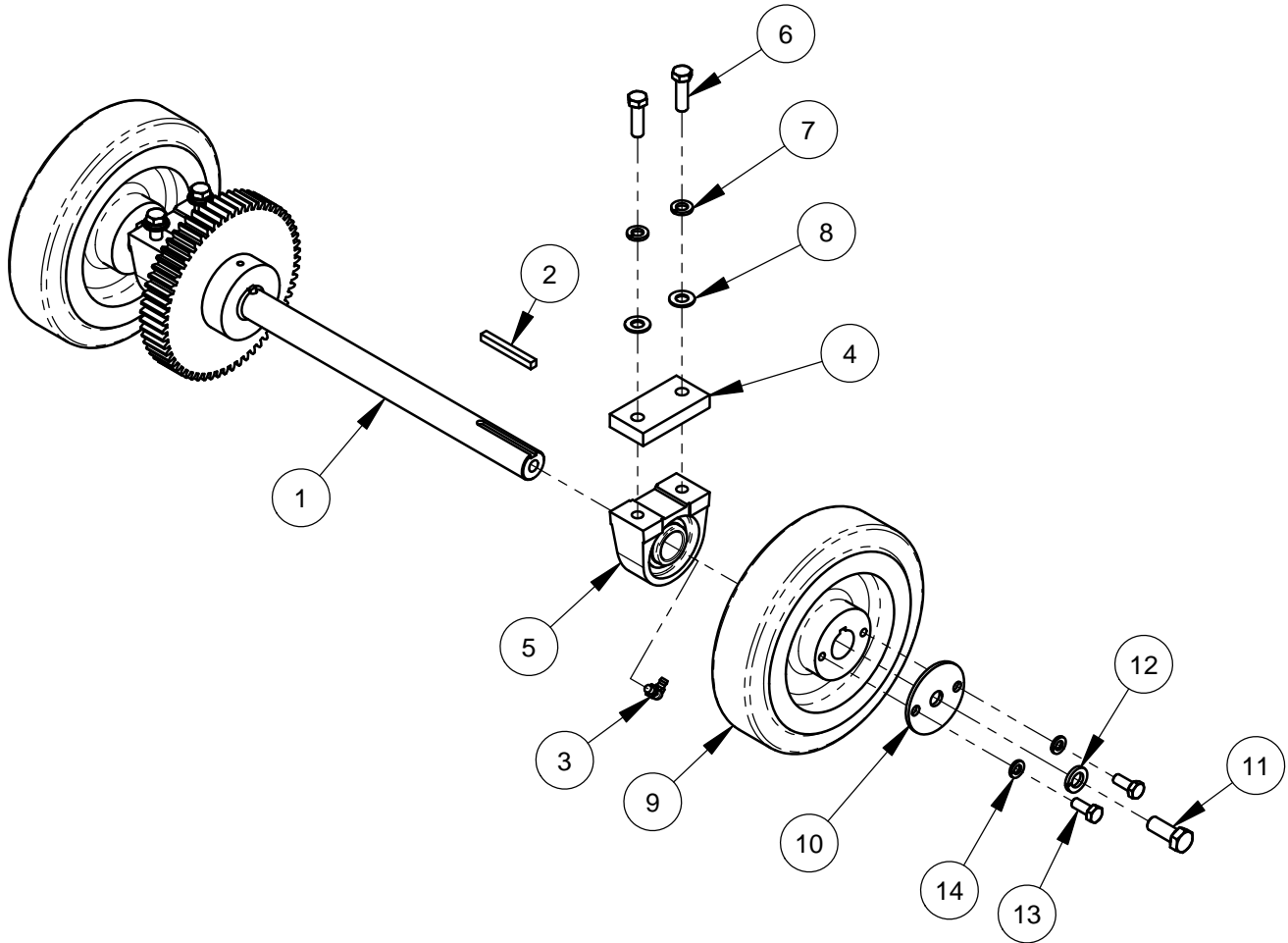
ITEM	PART NO.	QTY.	DESCRIPTION
1	6047920	1	Battery Holder
2	6010016	1	Battery Pad
3	2700208	1	Battery, 12 Volt Group Size 34
4	6048077	1	Rubber Strip
5	6047922	1	Battery Strap
6	6047921	1	Battery Support Brace
7	2900022	10	Flat Washer, 5/16" SAE
8	2900329	6	Cap Screw, Hex Hd., M8-1.25 x 20mm
9	2900303	5	Lock Nut, M8-1.25 Nylon Insert
10	2800072	1	Battery Cable, 30" Negative (Black)
11	2800257	1	Battery Boot, Large (Black)
12	2800198	1	Battery Boot, Small (Black)
13	2800565	1	Battery Disconnect Switch
14	2800572	1	Battery Cable, 9" Positive (Red)
15	2800566	1	Face Plate, Battery Disconnect
16	6048091	1	Battery Cable Assy., Red
17	1800846	1	Label, Battery Disconnect
18	2800197	1	Battery Boot, Small (Red)
19	2900763	1	Lock Washer, M8 Split

# 6048292: CC2500 FUEL TANK ASSEMBLY



ITEM	PART NO.	QTY.	DESCRIPTION
1	6047916	2	Fuel Tank Mount Bar
2	6010869	1	Fuel Tank, 4.4 Gallon
3	2506716	1	Grommet
4	2502484	1	Roll Over Vent, 1/4" Hose Barb
5	2500205	1	Fuel Tank Grommet
6	2503294	1	Fuel Tank Cap, W/Gage
7	3200108	1	Ball Valve, 1/4" NPT
8	3200057	1	Elbow, 1/4" M. Pipe to 1/4" M. JIC
9	2901336	8	Flat Washer, M8
10	2900763	8	Lock Washer, M8 Split
11	2900329	4	Cap Screw, Hex Hd., M8-1.25 x 20mm
12	6010485	1	Hose Assy., Fuel, 1/4 x 24-1/2"
13	2900360	4	Cap Screw, Hex Hd., M8-1.25 x 25mm
14	1801716	1	Decal, EPA EVAP Standard

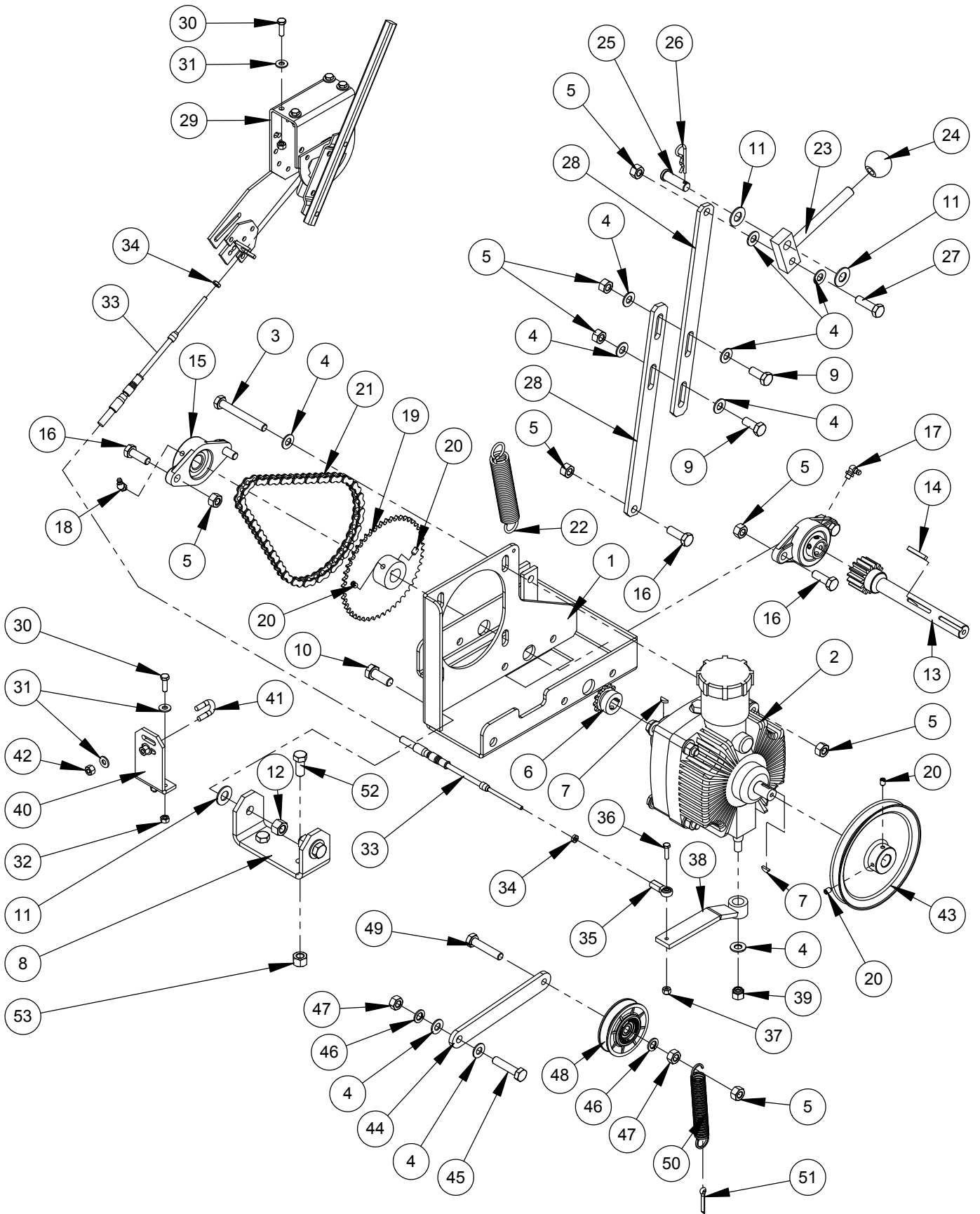
## Rear Axle Assembly #6047993



ITEM	PART NO.	QTY.	DESCRIPTION
1	6047982	1	Rear Axle Weldment w/ 60 Tooth Spur Gear
2	6048134	2	Key, 1/4" Sq. x 2-1/4"
3	2900061	2	Grease Fitting, 1/4-28 x 90 Degree
4	6047904	1	Axle Bearing Spacer 1/2"
5	2500732	2	Pillow Block Bearing 1"
6	2900013	4	Cap Screw, Hex Hd., 3/8-16 x 1-1/4"
7	2900006	4	Lock Washer, 3/8" Split
8	2900014	4	Flat Washer, 3/8" SAE
9	2500724	2	Wheel, 8" Rear
10	6010026	2	Wheel Mount Washer
11	2900330	2	Cap Screw, Hex Hd., M12-1.75 x 30mm
12	2900084	2	Lock Washer, 1/2" Split
13	2900329	4	Cap Screw, Hex Hd., M8-1.25 x 20mm
14	2900031	4	Lock Washer, 5/16" Split



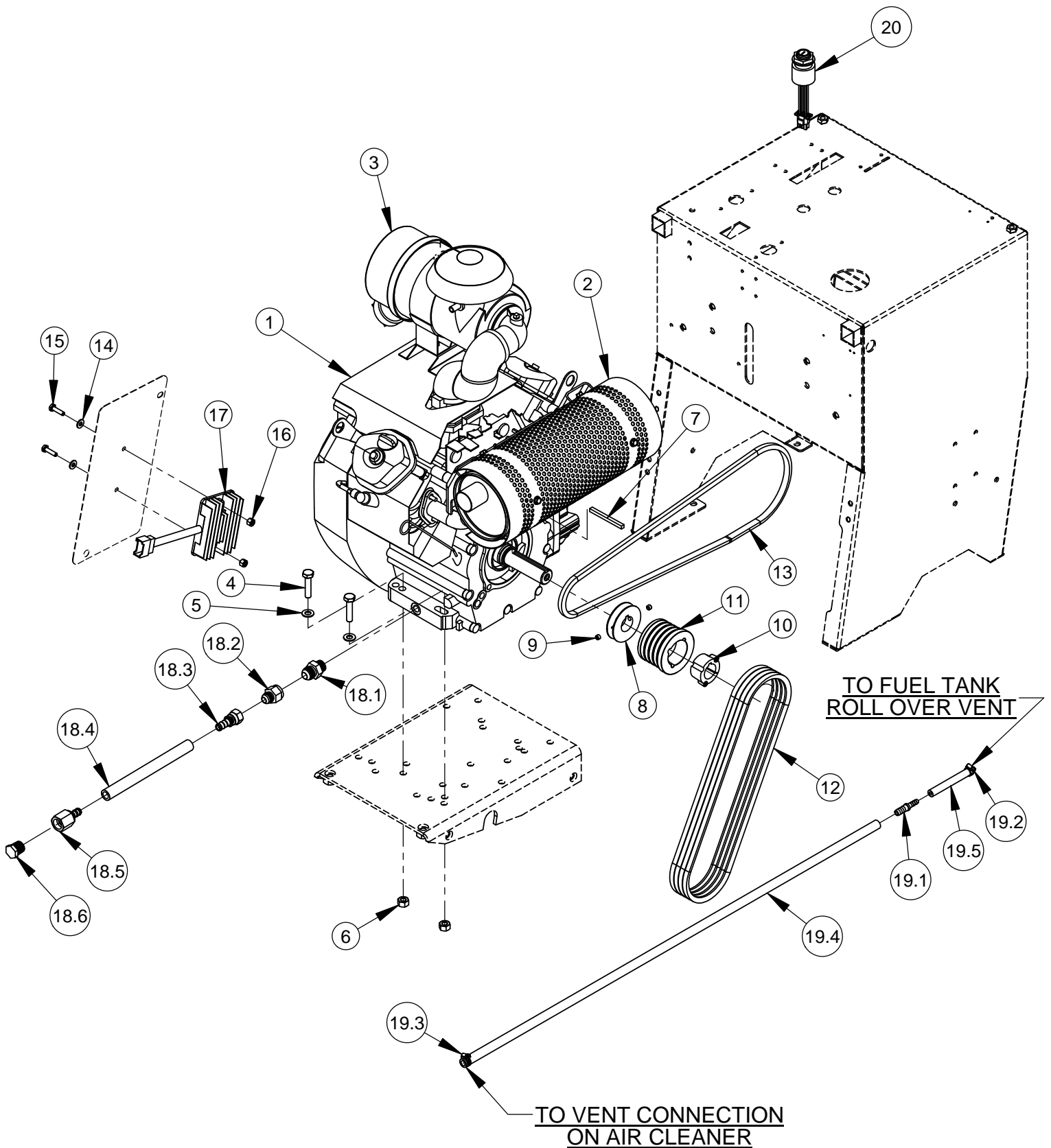
# Transmission Assembly #6047962



## Transmission Assembly #6047962

ITEM	PART NO.	QTY.	DESCRIPTION
1	6047923	1	Transmission Platform Weldment
2	2600015	1	Eaton 6 Transmission
3	2900319	4	Cap Screw, Hex Hd., M10-1.5 x 80mm
4	2900014	13	Flat Washer, 3/8" SAE
5	2900304	13	Lock Nut, M10-1.5 Nylon Insert
6	2500017	1	SProcket, 12 Teeth W/ 1/4 Setscrew
7	2900068	2	Woodruff Key #404, 1/8" W x 1/2" Dia.
8	6047924	1	Transmission Pivot Support
9	2900333	2	Cap Screw, Hex Hd., M10-1.5 x 25mm
10	2900330	2	Cap Screw, Hex Hd., M12-1.75 x 30mm
11	2900058	4	1/2 FLAT WASHER
12	2900327	2	Lock Nut, M12-1.75 Nylon Insert
13	6010080	1	Transmission Jackshaft 15T
14	6048229	1	Key, 3/16" Sq. x 1-1/4"
15	2500011	2	Flange Mt. Bearing 3/4"
16	2900223	5	Cap Screw, Hex Hd., M10-1.5 x 30mm
17	2900061	1	Grease Fitting, 1/4-28 x 90 Degree
18	2900184	1	Grease Fitting, 1/4" NPT x 45 degree
19	2500018	1	Sprocket, 48 Teeth w/ Setscrews
20	2900101	4	Set Screw, Soc. Hd., 1/4-20 x 3/8"
21	6048232	1	Chain, #35 x 63 Pitch
22	2500780	1	Spring, 1" Dia. x 6"
23	6048057	1	Engagement Lever
24	2400007	1	Knob, 1/2-20 x 1-3/8" Dia.
25	2900277	1	Clevis Pin, 1/2" Dia. x 1-1/2"
26	2900276	1	Hairpin Cotter, 1/8" x 1/2" to 3/4"
27	2900315	1	Cap Screw, Hex Hd., M10-1.5 x 35mm
28	6047925	2	Linkage
29	2500805	1	Quadco Speed Control
30	2900310	6	Cap Screw, Hex Hd., M6-1.0 x 20mm
31	2900009	8	Flat Washer, 1/4" SAE
32	2900302	6	Lock Nut, M6-1.0 Nylon Insert
33	2500806	1	Speed Control Cable
34	2900188	2	Hex Nut, #10-32
35	2500791	1	Rod End, #10-32 Female
36	2900015	1	Machine Screw, Hex Hd., #10-24 x 3/4"
37	2900017	1	Lock Nut, #10-24 Nylon
38	6047926	1	Shift Lever
39	2900018	1	Lock Nut, 3/8-16 Nylon
40	6047943	1	Cable Control Bracket
41	2500818	1	Clamp, 3/16" Cable
42	2900010	2	Lock Nut, 1/4-20 Nylon
43	2500016	1	Pulley, 6"
44	6048085	1	Idler Arm
45	2900317	1	Cap Screw, Hex Hd., M10-1.5 x 45mm
46	2900321	2	Lock Washer, M10 Split
47	2900325	2	Hex Nut, M10-1.5
48	2500074	1	Idler Pulley 3"
49	2900337	1	Cap Screw, Hex Hd., M10-1.5 x 50mm, Full Thd.
50	2500070	1	Spring, Extension, 3/4 Dia x 4
51	2900055	1	Cotter Pin, 3/16" x 1"
52	2900407	2	Cap Screw, Hex Hd., 7/16-14 x 1"
53	2900045	2	Lock Nut, 7/16-14 Nylon

# 20.8 HP Honda Engine Assembly 6047705



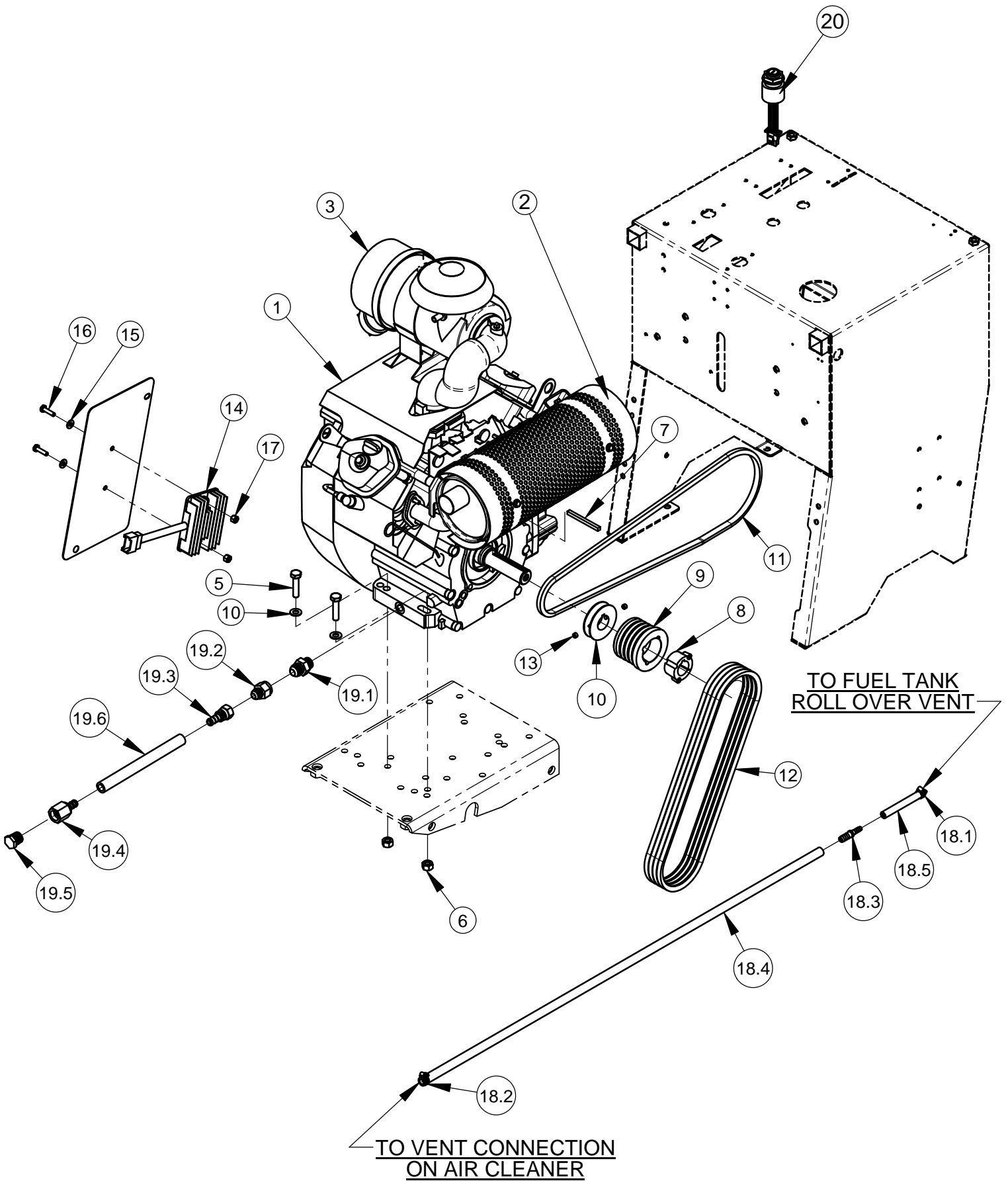


## 20.8 HP Honda Engine Assembly 6047705

ITEM	PART NO.	QTY.	DESCRIPTION
1	2600644	1	Engine, Honda (GX630)
2	2703139	1	Muffler Assembly, High Mount, Left
3	2703556	1	Air Cleaner Assembly
4	2900317	4	Cap Screw, Hex Hd., M10-1.5 x 45mm
5	2900014	4	Flat Washer, 3/8" SAE
6	2900304	4	Lock Nut, M10-1.5 Nylon Insert
7	6047977	1	Key, 1/4" Sq. x 3"
8	6048195	1	Pulley, 1-1/8" Bore
9	2900036	2	Set Screw, Soc. Hd., 5/16-18 x 1/4"
10	2500029	1	Taper Bushing, 1-1/8" with Set Screws
11	2500817	1	Sheave, 3.00-3V-4 Groove
12	2500792	4	V-Belt, 3VX400
13	2500849	1	V-Belt, 4L-500
14	2900009	2	Flat Washer, 1/4" SAE
15	2900008	2	Cap Screw, Hex Hd., 1/4-20 x 1"
16	2900010	2	Lock Nut, 1/4-20 Nylon
17	2701670	1	Rectifier Assembly
18	6048236	1	Oil Drain Hose Assembly
18.1	3200462	1	Fitting, M20 x 1.5 to 5/8" M. JIC
18.2	3200440	1	Fitting, 5/8" F. to 1/2" M. JIC
18.3	3200181	1	Fitting, 1/2" F. JIC to 1/2" Pushlok
18.4	6048264	1	Hose, 1/2" I.D. x 8.25"
18.5	3200163	1	Fitting, 1/2" F. Pipe to 1/2" Push Lock
18.6	3200160	1	Plug, 1/2-14 NPT
19	6011650	1	Vent Hose Assy., 1/4"-3/8"x40"
19.1	3202925	1	1/4" to 3/8" Hose Barb
19.2	3200062	1	Hose Clamp #4
19.3	3200390	1	Hose Clamp #6
19.4	6011649	1	Fuel Hose Assy., 3/8"x40"
19.5	6010218	1	Fuel Line Hose, 1/4" I.D. x 4"
● 20	6049059	1	Wire Harness Assembly, Honda

● 6049059 INCLUDES THE IGNITION SWITCH ASSEMBLY 6049057  
AND THE ENGINE TO IGNITION SWITCH HARNESS ASSEMBLY 6049058  
BOTH ARE AVAILABLE SEPARATELY.

# 20.5 HP Honda Engine Assembly 6047704

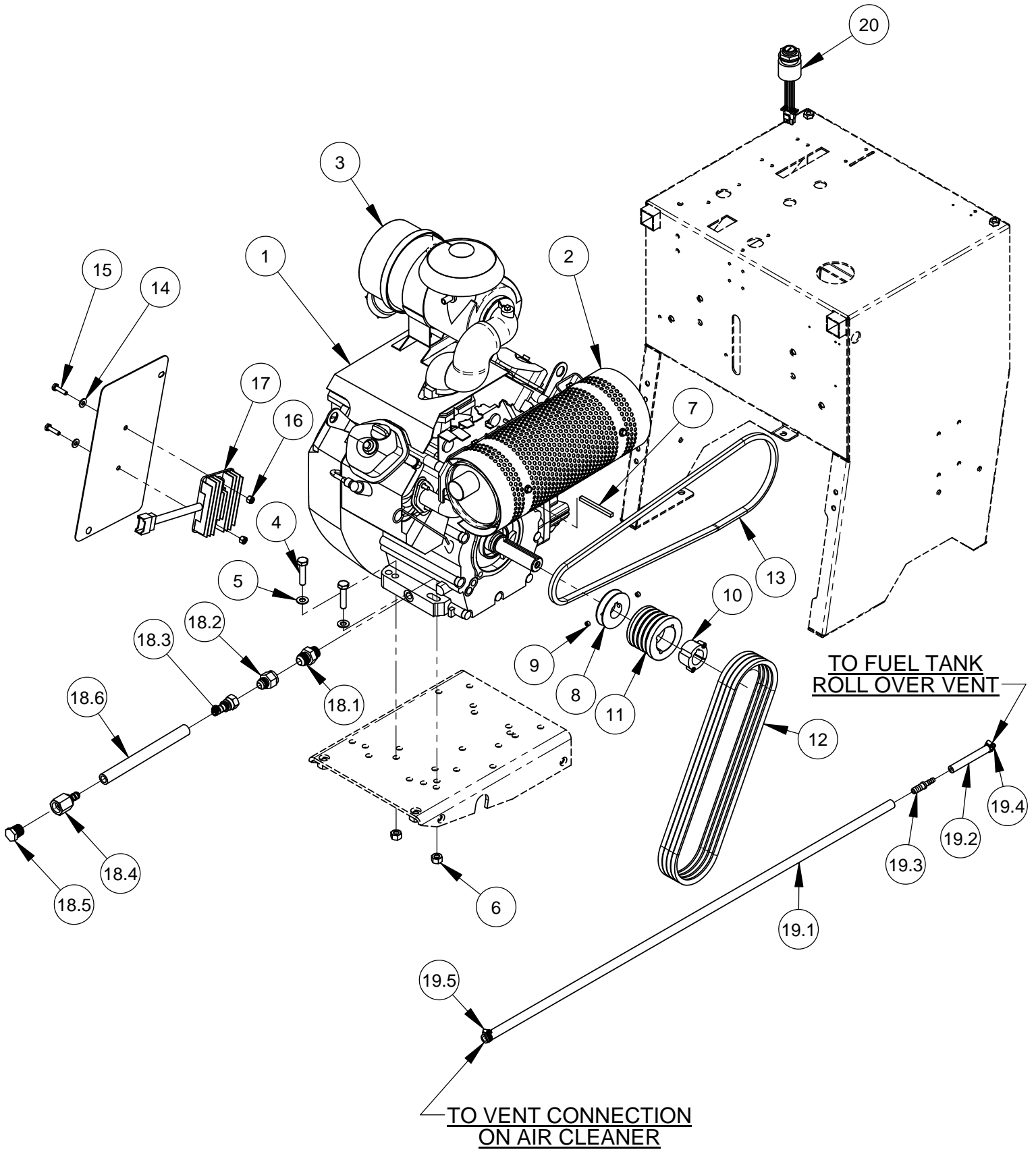


## 20.5 HP Honda Engine Assembly 6047704

ITEM	PART NO.	QTY.	DESCRIPTION
1	2600642	1	Engine, 20.5 HP Honda (GX660)
2	2703139	1	Muffler Assembly, High Mount, Left
3	2703556	1	Air Cleaner Assembly
10	2900014	4	Flat Washer, 3/8" SAE
5	2900317	4	Cap Screw, Hex Hd., M10-1.5 x 45mm
6	2900304	4	Lock Nut, M10-1.5 Nylon Insert
7	6047977	1	Key, 1/4" Sq. x 3"
8	2500029	1	Taper Bushing, 1-1/8" with Set Screws
9	2500817	1	Sheave, 3.00-3V-4 Groove
10	6048195	1	Pulley, 1-1/8" Bore
11	2500849	1	V-Belt, 4L-500
12	2500792	4	V-Belt, 3VX400
13	2900036	2	Set Screw, Soc. Hd., 5/16-18 x 1/4"
14	2701670	1	Rectifier Assembly
15	2900009	2	Flat Washer, 1/4" SAE
16	2900008	2	Cap Screw, Hex Hd., 1/4-20 x 1"
17	2900010	2	Lock Nut, 1/4-20 Nylon
18	6011650	1	Vent Hose Assy., 1/4"-3/8"x40"
18.1	3200062	1	Hose Clamp #4
18.2	3200390	1	Hose Clamp #6
18.3	3202925	1	1/4" to 3/8" Hose Barb
18.4	6011649	1	Fuel Hose Assy., 3/8"x40"
18.5	6010218	1	Fuel Line Hose, 1/4" I.D. x 4"
19	6048236	1	Oil Drain Hose Assembly
19.1	3200462	1	Fitting, M20 x 1.5 to 5/8" M. JIC
19.2	3200440	1	Fitting. 5/8" F. to 1/2" M. JIC
19.3	3200181	1	Fitting, 1/2" F. JIC to 1/2" Pushlok
19.4	3200163	1	Fitting, 1/2" F. Pipe to 1/2" Push Lock
19.5	3200160	1	Plug, 1/2-14 NPT
19.6	6048264	1	Hose, 1/2" I.D. x 8.25"
● 20	6049059	1	Wire Harness Assembly, Honda

6049059 INCLUDES THE IGNITION SWITCH ASSEMBLY 6049057  
AND THE ENGINE TO IGNITION SWITCH HARNESS ASSEMBLY 6049058  
BOTH ARE AVAILABLE SEPARATELY.

## 22.2 HP Honda Engine Assembly 6047715

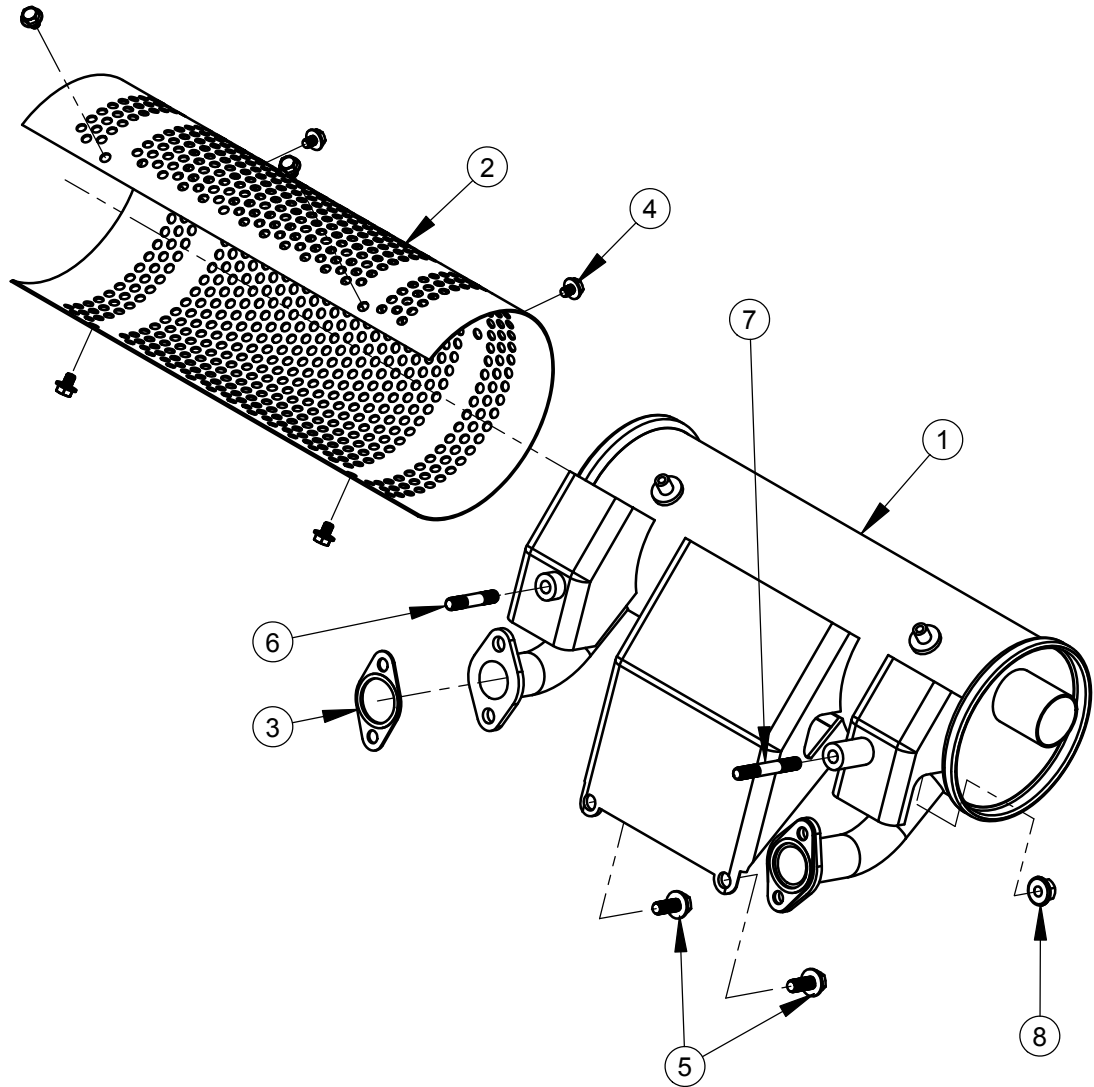


## 22.2 HP Honda Engine Assembly 6047715

ITEM	PART NO.	QTY.	DESCRIPTION
1	2601705	1	Honda Engine, 22.2 HP Honda (GX690)
2	2703139	1	Muffler Assembly, High Mount, Left
3	2703556	1	Air Cleaner Assembly
4	2900317	4	Cap Screw, Hex Hd., M10-1.5 x 45mm
5	2900014	4	Flat Washer, 3/8" SAE
6	2900304	4	Lock Nut, M10-1.5 Nylon Insert
7	6047977	1	Key, 1/4" Sq. x 3"
8	6048195	1	Pulley, 1-1/8" Bore
9	2900036	2	Set Screw, Soc. Hd., 5/16-18 x 1/4"
10	2500029	1	Taper Bushing, 1-1/8" with Set Screws
11	2500817	1	Sheave, 3.00-3V-4 Groove
12	2500792	4	V-Belt, 3VX400
13	2500849	1	V-Belt, 4L-500
14	2900009	2	Flat Washer, 1/4" SAE
15	2900008	2	Cap Screw, Hex Hd., 1/4-20 x 1"
16	2900010	2	Lock Nut, 1/4-20 Nylon
17	2701670	1	Rectifier Assembly
18	6048236	1	Oil Drain Hose Assembly
18.1	3200462	1	Fitting, M20 x 1.5 to 5/8" M. JIC
18.2	3200440	1	Fitting, 5/8" F. to 1/2" M. JIC
18.3	3200181	1	Fitting, 1/2" F. JIC to 1/2" Pushlok
18.4	3200163	1	Fitting, 1/2" F. Pipe to 1/2" Push Lock
18.5	3200160	1	Plug, 1/2-14 NPT
18.6	6048264	1	Hose, 1/2" I.D. x 8.25"
19	6011650	1	Vent Hose Assy., 1/4"-3/8"x40"
19.1	6011649	1	Fuel Hose Assy., 3/8"x40"
19.2	6010218	1	Fuel Line Hose, 1/4" I.D. x 4"
19.3	3202925	1	1/4" to 3/8" Hose Barb
19.4	3200062	1	Hose Clamp #4
19.5	3200390	1	Hose Clamp #6
● 20	6049059	1	Wire Harness Assembly, Honda

6049059 INCLUDES THE IGNITION SWITCH ASSEMBLY 6049057  
AND THE ENGINE TO IGNITION SWITCH HARNESS ASSEMBLY 6049058  
BOTH ARE AVAILABLE SEPARATELY.

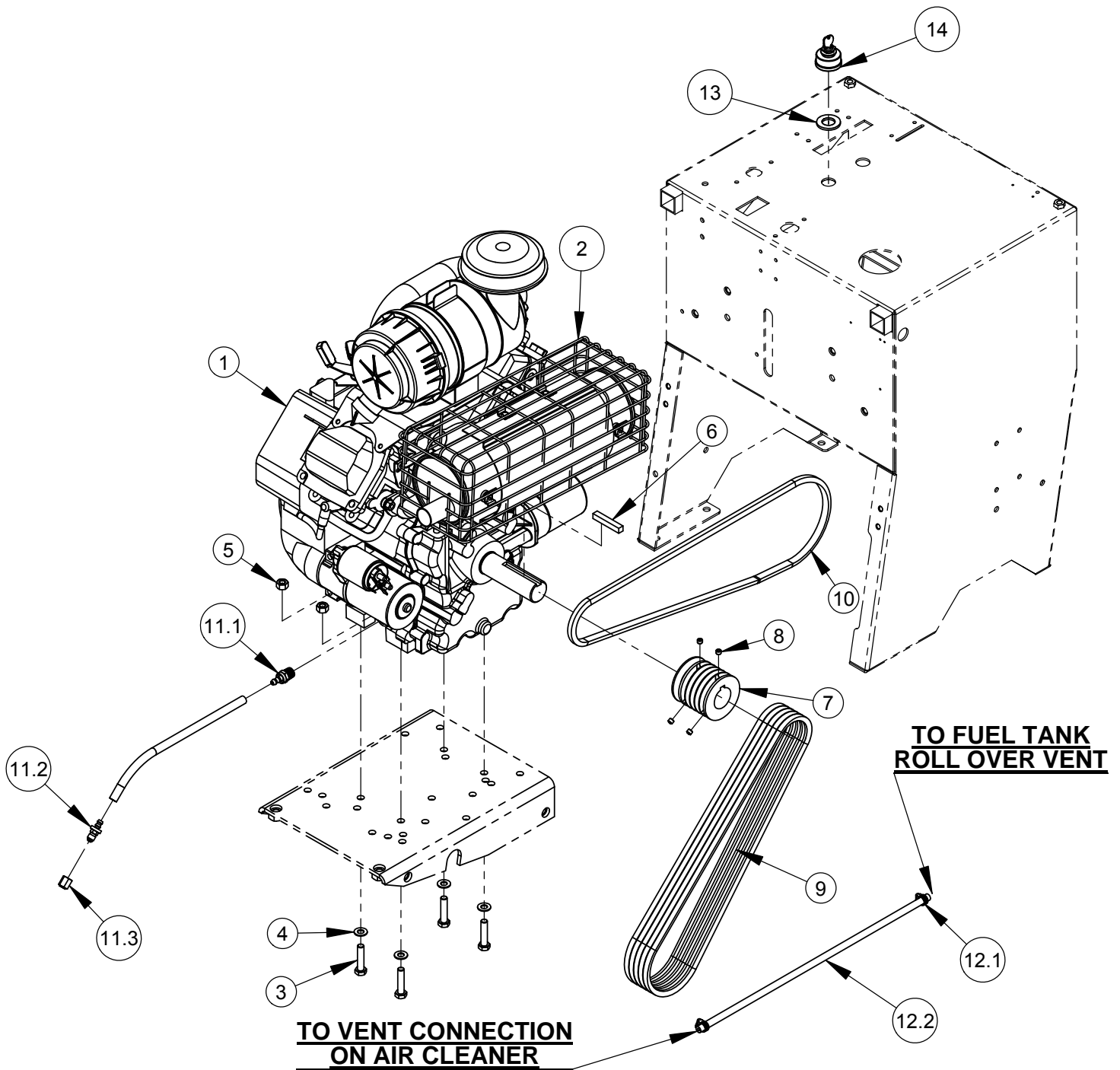
**Honda High Mount with Left Side Exhaust  
used on GX630 & GX660 Engines #2703139**



ITEM	QTY.	DESCRIPTION
1	1	Honda Muffler
2	1	Muffler Protector
3	2	Exhaust Gasket
4	6	Cap Screw, Hex Flange Hd., M6 x 8mm
5	2	Cap Screw, Hex Flange Hd., M8 x 20mm
6	1	Stud, Bolt, M8 x 45mm
7	1	Stud, Bolt, M8 x 60mm
8	2	Hex Nut Flanged, M8



**25 HP Kohler Engine Assembly**  
**#6047710**

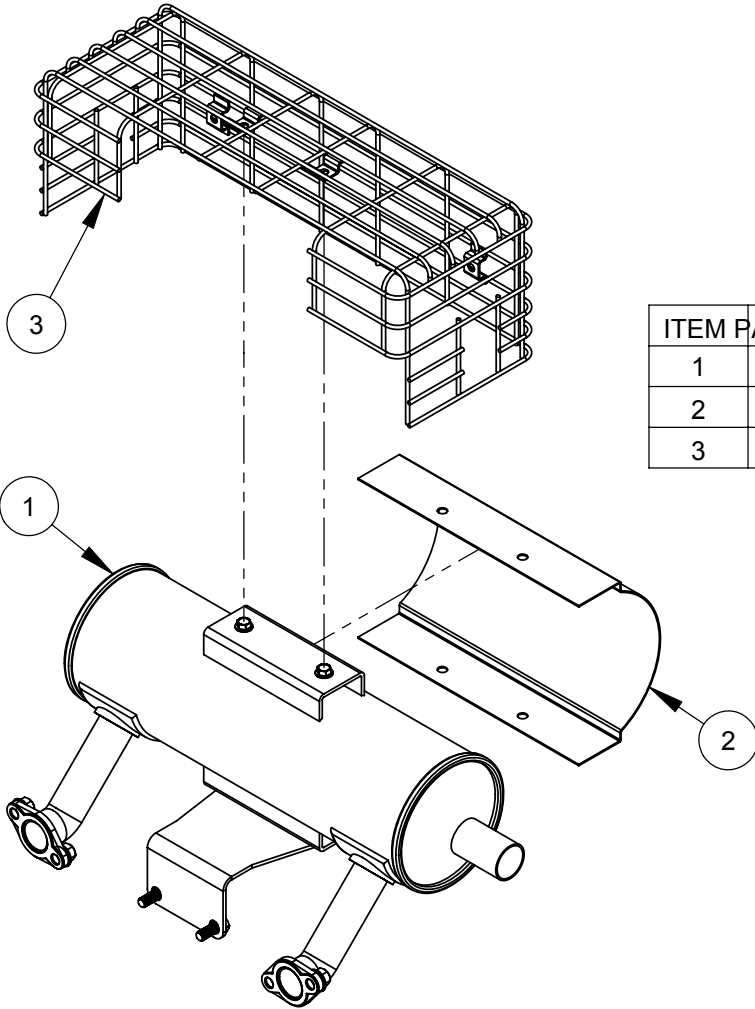




**25 HP Kohler Engine Assembly**  
**#6047710**

ITEM	PART NO.	QTY.	DESCRIPTION
1	2600338	1	Engine, 25HP Kohler Command
2	6047897	1	Muffler Assembly-Kohler
3	2900317	4	Cap Screw, Hex Hd., M10-1.5 x 45mm
4	2900014	4	Flat Washer, 3/8" SAE
5	2900304	4	Lock Nut, M10-1.5 Nylon Insert
6	6047959	1	Key, 3/8" Sq. x 2-1/4"
7	6047914	1	Sheave, 3" x 1-7/16" Bore
8	2900036	4	Set Screw, Soc. Hd., 5/16-18 x 1/4"
9	2500793	5	V-Belt, 3VX425
10	2500849	1	V-Belt, 4L-500
11	6047974	1	Oil Drain Hose Assembly, 8-1/4"
11.1	3200070	1	Fitting, 3/8" MPT to 1/4" Pushlok
11.2	3200040	1	Fitting, 1/4" M. JIC to 1/4" Push Lock
11.3	3200006	1	Cap, 1/4" JIC
11.4	6047955	1	Oil Drain Hose, 1/4" ID X 12" Long
12	6010498	1	Fuel Line Assembly
12.1	3200062	2	Hose Clamp #4
12.2	6011392	1	Hose, 3/16" ID x20"
13	2900003	1	Flat Washer, 3/4" SAE
14	2700892	1	Ignition Switch w/ Key (27KC)
15	2700885	1	Wiring Harness (Not Shown)

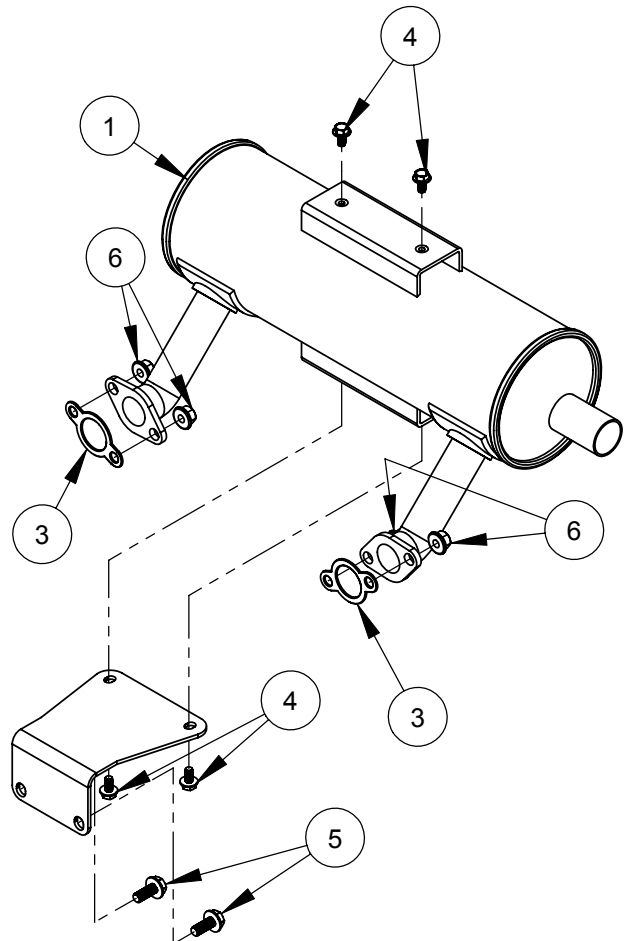
**25HP Kohler Muffler Assembly**  
**#6047897**



ITEM	PART NO.	QTY.	DESCRIPTION
1	2701252	1	Muffler Assembly
2	2701277	1	Heat Shield
3	2701253	1	Muffler Guard

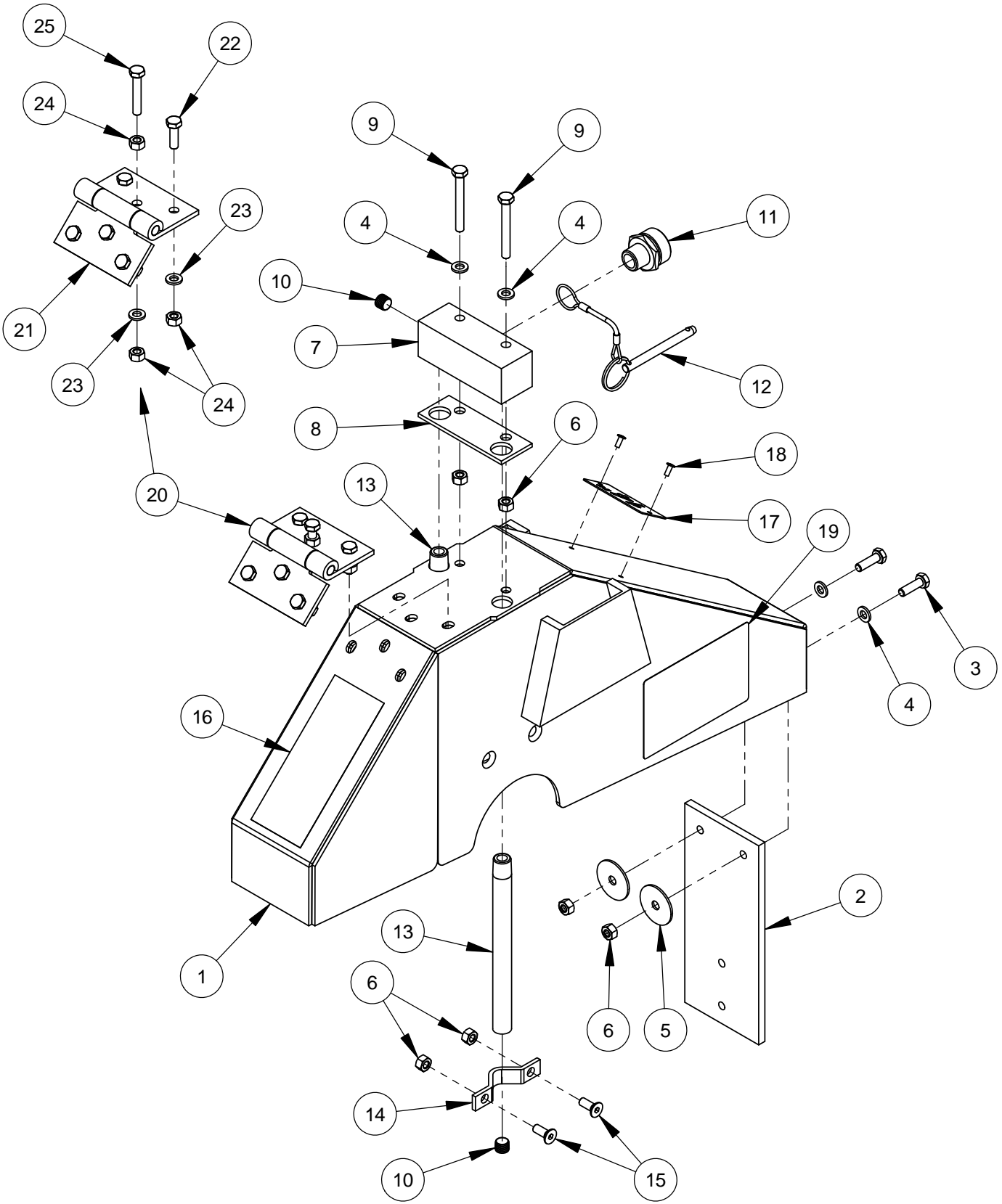
**25HP Kohler Muffler**  
**#2701252**

ITEM	QTY.	DESCRIPTION
1	1	Muffler
2	1	Muffler Mounting Bracket
3	2	Exhaust Gasket
4	4	Cap Screw, Hex Flange Hd., M6 x 12mm
5	2	Cap Screw, Hex Flange Hd., M8 x 20mm
6	4	Hex Nut Flanged, M8





# 14" Blade Guard Assembly #6010950

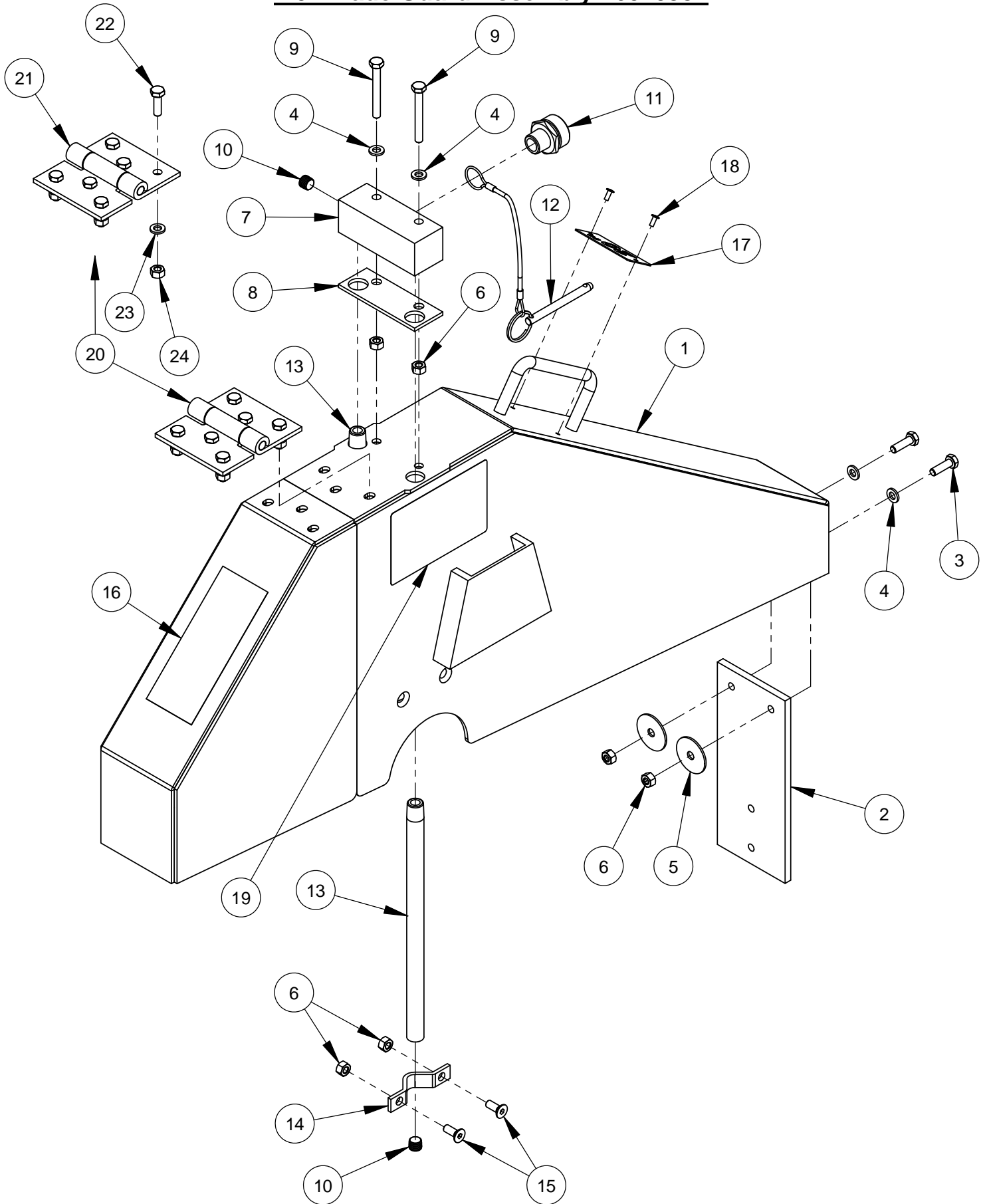


## 14" Blade Guard Assembly #6010950

ITEM	PART NO.	QTY.	DESCRIPTION
1	6010601	1	14" Blade Guard Front & Rear Only
2	6010081	1	Splash Flap
3	2900310	2	Cap Screw, Hex Hd., M6-1.0 x 20mm
4	2901494	4	Flat Washer, M6
5	2900083	2	Fender Washer, 1/4" x 1-1/4"
6	2900302	8	Lock Nut, M6-1.0 Nylon Insert
7	6010261	1	Water Manifold
8	2500830	1	Water Manifold Gasket
9	2901355	2	Cap Screw, Hex Hd., M6-1.0 x 50mm
10	3200001	3	Plug, 1/8" NPT
11	3200002	1	Fitting, 3/8" M. Pipe to 3/4" M. Garden
12	2900278	1	Lanyard with Lock Pin
13	6048283	2	Water Tube for 14" Guard
14	6048155	2	Water Tube Clamp
15	2900308	4	Cap Screw, Flat Hd., M6-1.0 x 16mm
16	1800001	1	Warning Label
17	1801369A	1	Blade Guard Size Tag
18	2900287	2	Rivet, 1/8" Dia.
19	1802090	2	Label, Wedge Locking Washer
20	6048026	1	Hinge Assembly

ITEM	PART NO.	QTY.	DESCRIPTION
21	2500270	1	Blade Guard Hinge
22	2900310	5	Cap Screw, Hex Hd., M6-1.0 x 20mm
23	2901494	6	Flat Washer, M6
24	2900302	7	Lock Nut, M6-1.0 Nylon Insert
25	2900312	1	Cap Screw, Hex Hd., M6-1.0 x 35mm

# 20" Blade Guard Assembly #6010952

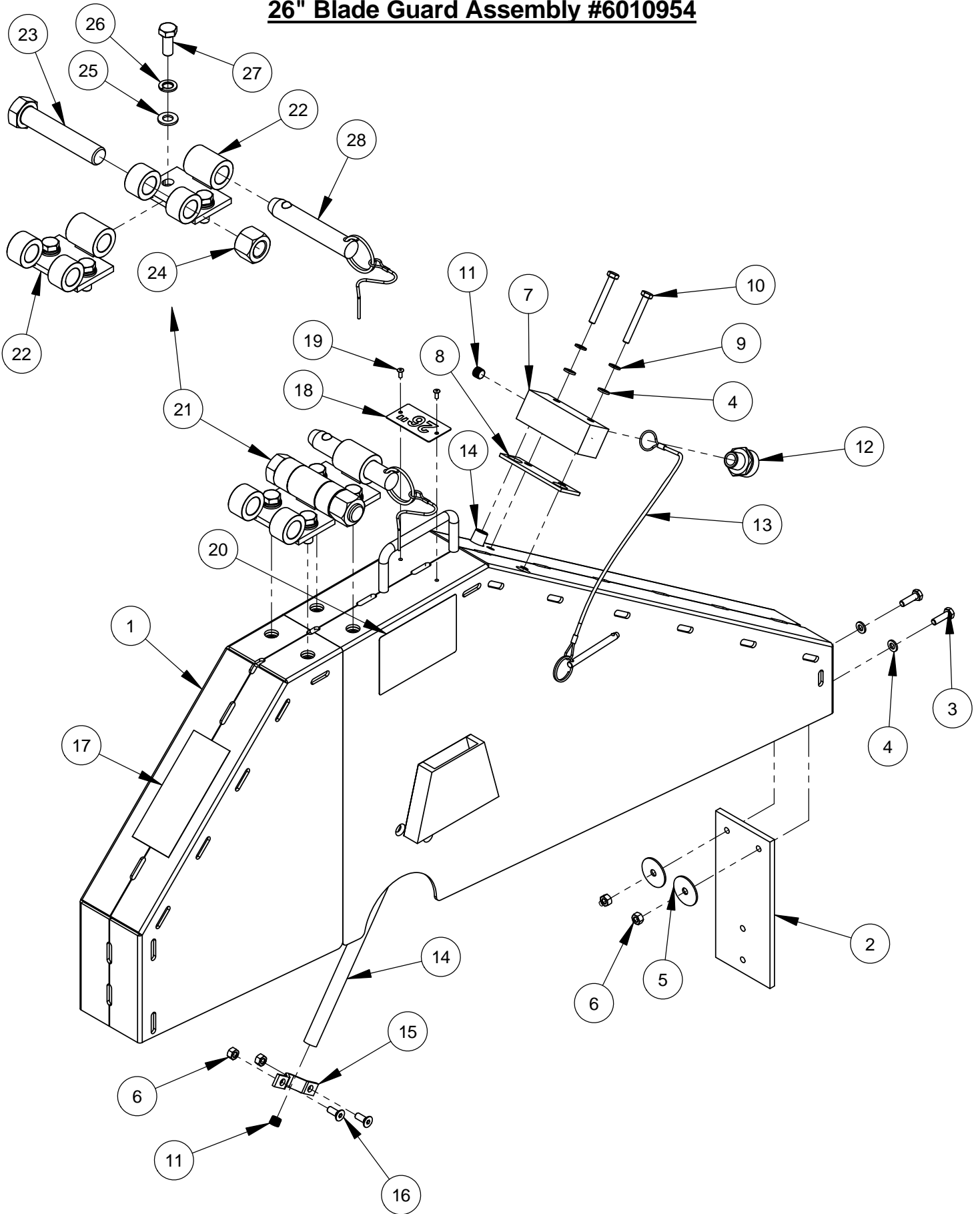


## 20" Blade Guard Assembly #6010952

ITEM	PART NO.	QTY.	DESCRIPTION
1	6010603	1	20" Blade Guard Front & Rear Only
2	6010081	1	Splash Flap
3	2900310	2	Cap Screw, Hex Hd., M6-1.0 x 20mm
4	2901494	4	Flat Washer, M6
5	2900083	2	Fender Washer, 1/4" x 1-1/4"
6	2900302	8	Lock Nut, M6-1.0 Nylon Insert
7	6010261	1	Water Manifold
8	2500830	1	Water Manifold Gasket
9	2901355	2	Cap Screw, Hex Hd., M6-1.0 x 50mm
10	3200001	3	Plug, 1/8" NPT
11	3200002	1	Fitting, 3/8" M. Pipe to 3/4" M. Garden
12	2900278	1	Lanyard with Lock Pin
13	6010085	2	Water Tube for 20" Guard
14	6048155	2	Water Tube Clamp
15	2900308	4	Cap Screw, Flat Hd., M6-1.0 x 16mm
16	1800001	1	Warning Label
17	1801369D	1	Blade Guard Size Tag
18	2900287	2	Rivet, 1/8" Dia.
19	1802090	2	Label, Wedge Locking Washer
20	6048027	1	Hinge Assembly

ITEM	PART NO.	QTY.	DESCRIPTION
21	2500270	1	Blade Guard Hinge
22	2900310	6	Cap Screw, Hex Hd., M6-1.0 x 20mm
23	2901494	6	Flat Washer, M6
24	2900302	6	Lock Nut, M6-1.0 Nylon Insert

# 26" Blade Guard Assembly #6010954



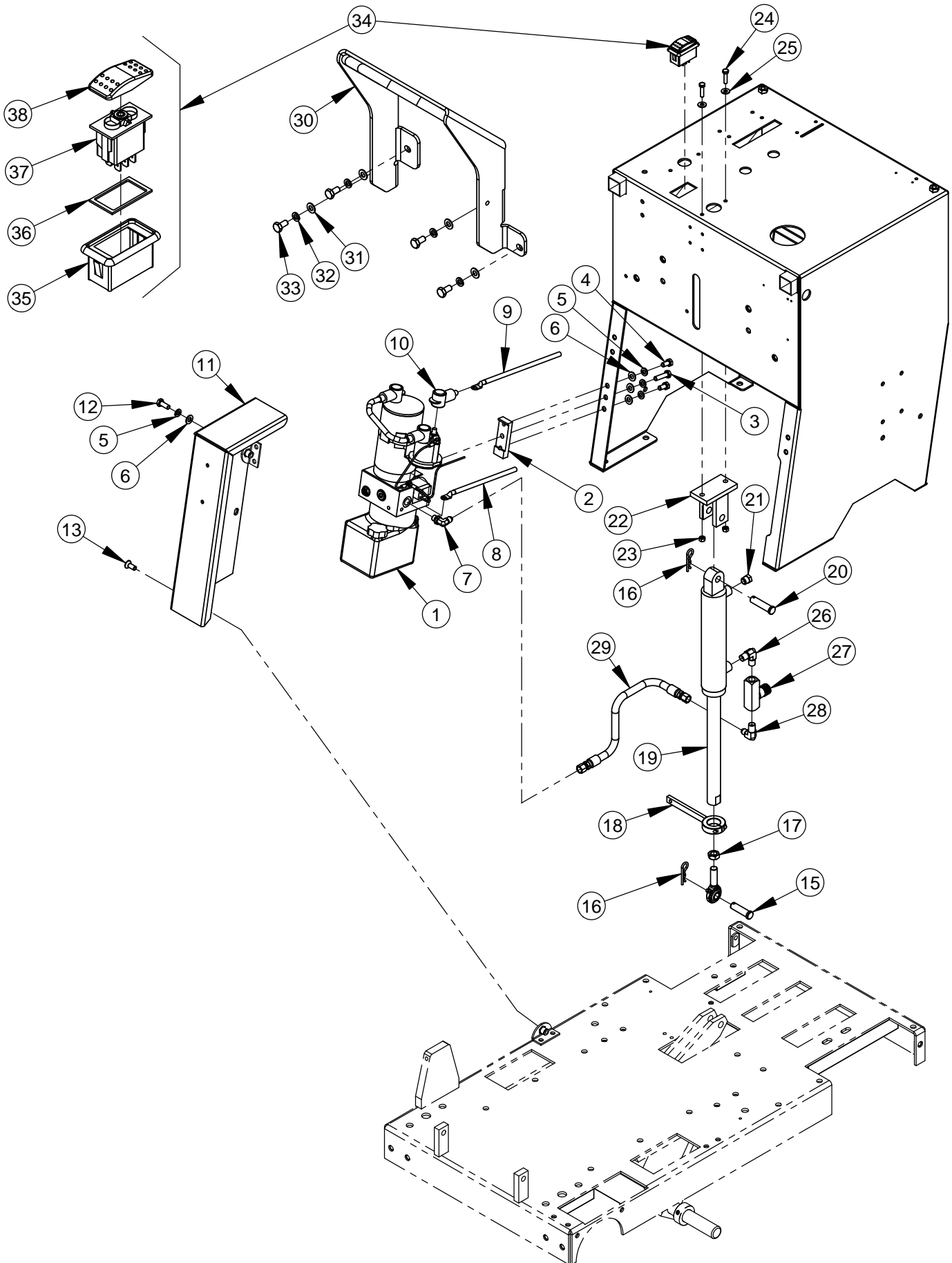


## 26" Blade Guard Assembly #6010954

ITEM	PART NO.	QTY.	DESCRIPTION
1	6010955	1	26" Blade Guard Front & Rear Only
2	6010081	1	Splash Flap
3	2900310	2	Cap Screw, Hex Hd., M6-1.0 x 20mm
4	2901494	4	Flat Washer, M6
5	2900083	2	Fender Washer, 1/4" x 1-1/4"
6	2900302	6	Lock Nut, M6-1.0 Nylon Insert
7	6010261	1	Water Manifold
8	2500830	1	Water Manifold Gasket
9	2900765	2	Lock Washer, M6 Split
10	2901355	2	Cap Screw, Hex Hd., M6-1.0 x 50mm
11	3200001	3	Plug, 1/8" NPT
12	3200002	1	Fitting, 3/8" M. Pipe to 3/4" M. Garden
13	2900279	1	Lanyard with Lock Pin
14	6010086	2	Water Tube for 26" Guard
15	6048155	2	Water Tube Clamp
16	2900308	4	Cap Screw, Flat Hd., M6-1.0 x 16mm
17	1800001	1	Warning Label
18	1801369F	1	Blade Guard Size Tag
19	2900287	2	Rivet, 1/8" Dia.
20	1802090	2	Label, Wedge Locking Washer
21	6010873	1	Universal Hinge Assembly

ITEM	PART NO.	QTY	DESCRIPTION
22	6010871	2	Hinge Weldment, Universal
23	2900479	1	Cap Screw, Hex Hd., 3/4-10 x 4"
24	2900467	1	Lock Nut, 3/4-10 Nylon
25	2901356	4	Flat Washer, M10
26	2900321	4	Lock Washer, M10 Split
27	2900333	4	Cap Screw, Hex Hd., M10-1.5 x 25mm
28	2503824	1	Detent Pin, 3/4" x 3" Grip

# Hydraulic Power Raise/Lower Assembly #6047997



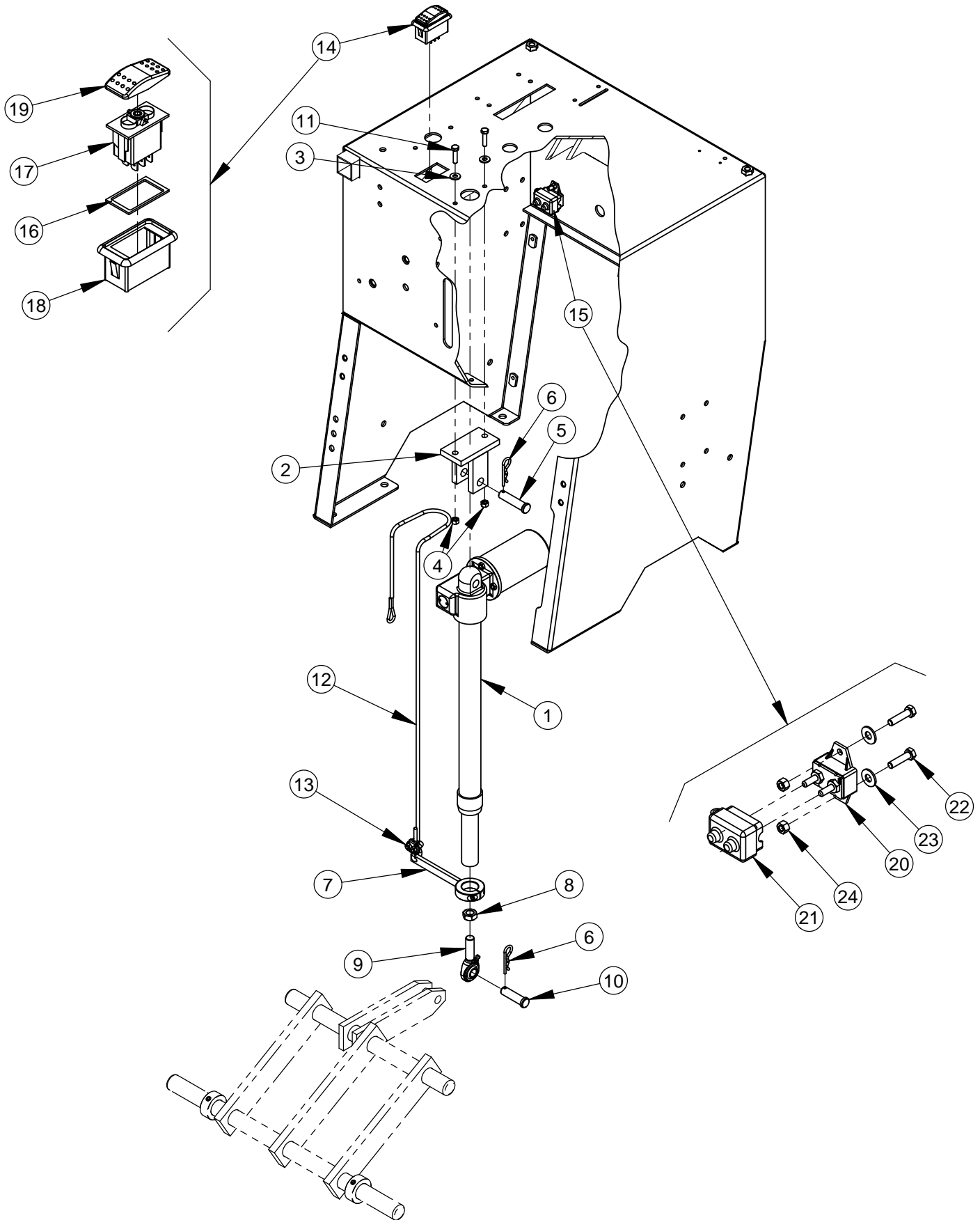
**Hydraulic Power Raise/Lower Assembly**  
**#6047997**

ITEM	PART NO.	QTY.	DESCRIPTION
1	2600692	1	Electro/Hydraulic Pump Unit
2	6011565	1	Bracket, Lift Pump
3	2900217	1	Cap Screw, Hex Hd., 5/16-18 x 1-1/4"
4	2900883	2	Cap Screw, Hex Hd., 5/16-18 x 5/8"
5	2900031	4	Lock Washer, 5/16" Split
6	2900022	4	Flat Washer, 5/16" SAE
7	3200214	1	Elbow, 1/4" M. O-Ring to 1/4" M. JIC
8	6048092	1	Battery Cable Assy., Black
9	6047990	1	Battery Cable Assy., Red
10	2800197	1	Battery Boot, Small (Red)
11	6047986	1	Pump Guard
12	2900329	1	Cap Screw, Hex Hd., M8-1.25 x 20mm
13	2900611	1	Cap Screw, Flat Hd., M8-1.25 x 20mm
14	2500931	1	Rod End, 1/2-20 Male
15	2900354	1	Clevis Pin, 1/2" x 1-3/4"
16	2900276	2	Hairpin Cotter, 1/8" x 1/2" to 3/4"
17	2900109	1	Jam Nut, 1/2-20
18	6047966	1	Cable Connecting Arm
19	2501588	1	Hydraulic Cylinder
20	2900393	1	Clevis Pin, 1/2 x 1-3/4", Zinc Plated
21	3200067	1	Breather Vent, 1/4" NPT
22	6047965	1	Actuator Clevis
23	2900302	2	Lock Nut, M6-1.0 Nylon Insert
24	2900311	2	Cap Screw, Hex Hd., M6-1.0 x 25mm
25	2900009	2	Flat Washer, 1/4" SAE
26	3200312	1	Elbow, 1/4" Male Pipe
27	3200056	1	Flow Control Valve, 1/4" NPT
28	3200057	1	Elbow, 1/4" M. Pipe to 1/4" M. JIC
29	6010248	1	Hose Assembly, 20" Long
30	6047987	1	Frame Lift Weldment
31	2900014	4	Flat Washer, 3/8" SAE
32	2900006	4	Lock Washer, 3/8" Split
33	2900314	4	Cap Screw, Hex Hd., M10-1.5 x 20mm
34	6019158	1	Rocker Switch Assembly

**Rocker Switch Assembly**  
**#6019158**

ITEM	PART NO.	QTY.	DESCRIPTION
35	2800260	1	Rocker Mount Panel
36	2800261	1	Rocker Panel Gasket
37	2800258	1	Rocker Switch Body
38	2800259	1	Rocker Switch Actuator

# Electric Power Raise/Lower Assembly #6047967



**Electric Power Raise/Lower Assembly**  
**#6047967**

ITEM	PART NO.	QTY.	DESCRIPTION
1	2500930	1	Actuator
2	6047965	1	Actuator Clevis
3	2900009	2	Flat Washer, 1/4" SAE
4	2900302	2	Lock Nut, M6-1.0 Nylon Insert
5	2900393	1	Clevis Pin, 1/2 x 1-3/4", Zinc Plated
6	2900276	2	Hairpin Cotter, 1/8" x 1/2" to 3/4"
7	6047966	1	Cable Connecting Arm
8	2900109	1	Jam Nut, 1/2-20
9	2500931	1	Rod End, 1/2-20 Male
10	2900354	1	Clevis Pin, 1/2" x 1-3/4"
11	2900311	2	Cap Screw, Hex Hd., M6-1.0 x 25mm
12	6047968	1	Depth Indicator Cable
13	2500214	1	Cable Clamp
14	6019158	1	Rocker Switch Assembly
15	6047979	1	Circuit Breaker Assembly

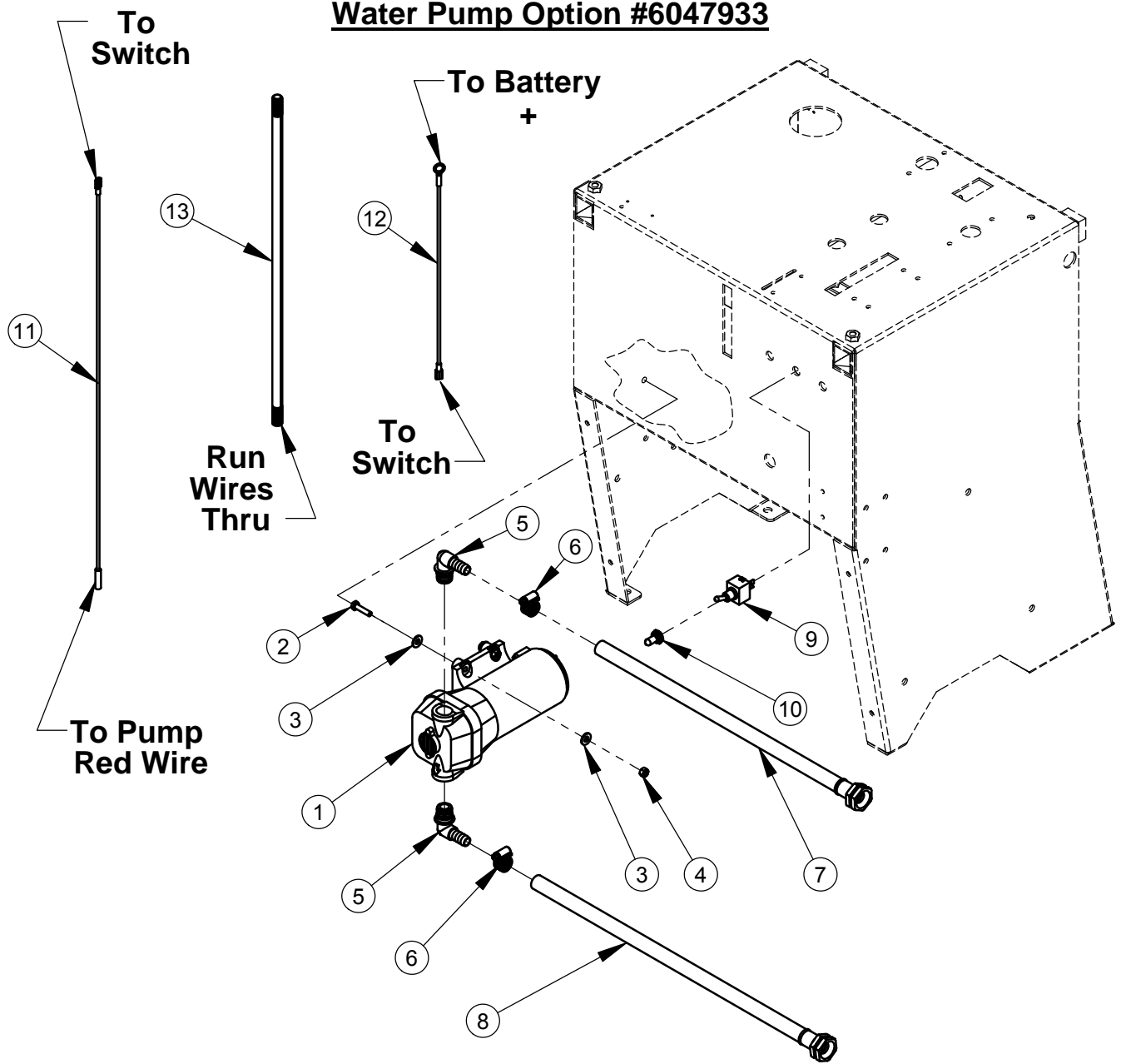
**Rocker Switch Assembly**  
**#6019158**

ITEM	PART NO.	QTY.	DESCRIPTION
16	2800261	1	Rocker Panel Gasket
17	2800258	1	Rocker Switch Body
18	2800260	1	Rocker Mount Panel
19	2800259	1	Rocker Switch Actuator

**Circuit Breaker Assembly**  
**#6047979**

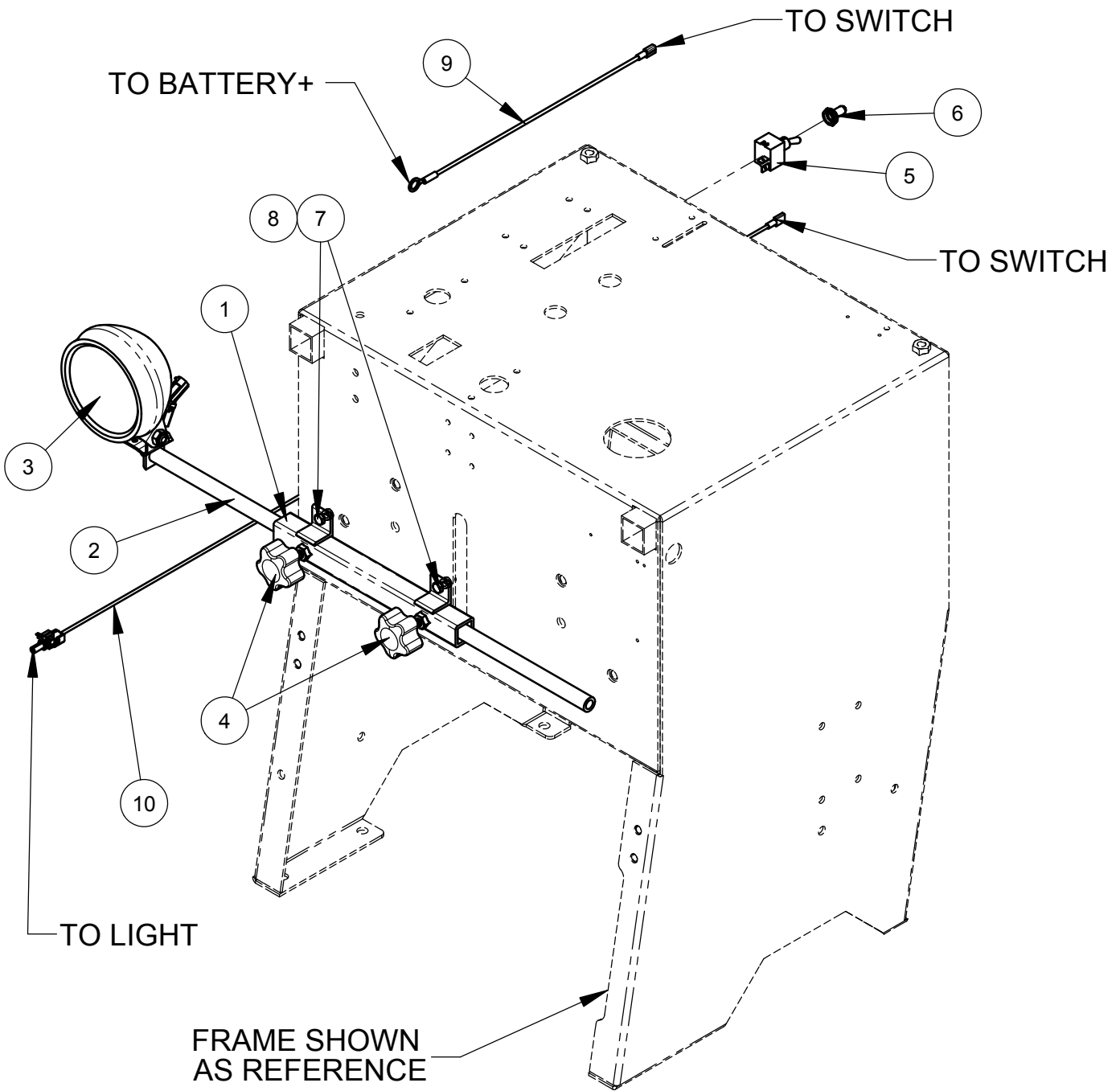
ITEM	PART NO.	QTY.	DESCRIPTION
20	2800363	1	Circuit Breaker 20 Amp
21	2800364	1	Circuit Breaker Boot
22	2900309	2	Cap Screw, Hex Hd., M5-0.8 x 20mm
23	2900016	2	Flat Washer, #10 USS
24	2900301	2	Lock Nut, M5-0.8 Nylon Insert

## Water Pump Option #6047933



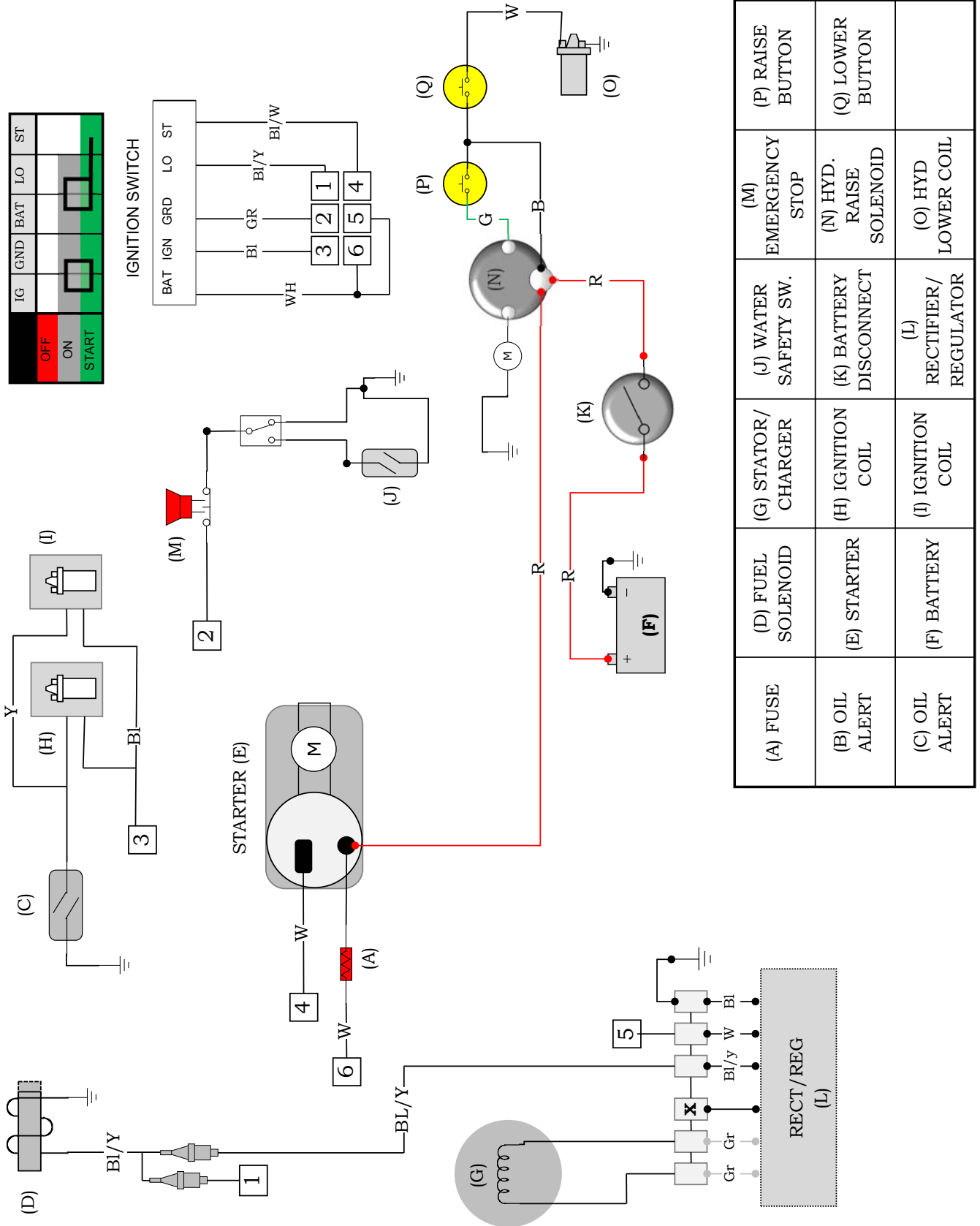
ITEM	PART NO.	QTY.	DESCRIPTION
1	2600200	1	Water Pump, 12V Diaphragm
2	2900311	4	Cap Screw, Hex Hd., M6-1.0 x 25mm
3	2900009	8	Flat Washer, 1/4" SAE
4	2900302	4	Lock Nut, M6-1.0 Nylon Insert
5	2701694	2	Port Fitting, 1/2" Barb x 90 Degree
6	3200016	2	Hose Clamp #8
7	6048167	1	Hose Assy., 3 Foot
8	6010302	1	Hose Assy., 4 Foot
9	2800062	1	Toggle Switch On/Off
10	2800063	1	Toggle Switch Boot
11	6040371	1	Wire Assy., 14 GA., Green 24"
12	6040372	1	Wire Assy., 14 GA., White 12"
13	4600087	1	Wire Cover, 3/8 x 20"

# 6047934 CC2500 SPOT LIGHT KIT



ITEM	PART NO.	QTY.	DESCRIPTION
1	6010107	1	Light Bar Mount Bracket
2	6010106	1	Light Bar
3	6011719	1	Light, 12V Spot Assy.
4	2400157	2	Hand Lock Knob, 5/16-18 x 1"
5	2800062	1	Toggle Switch On/Off
6	2800063	1	Toggle Switch Boot
7	2900310	2	Cap Screw, Hex Hd., M6-1.0 x 20mm
8	2900302	2	Lock Nut, M6-1.0 Nylon Insert
9	6010859	1	Wire Assy., 16 Ga., White, 13"
10	6010852	1	Wire Assy., 18 Gage, Black, 41-1/4"

# NEW V-TWIN HONDA

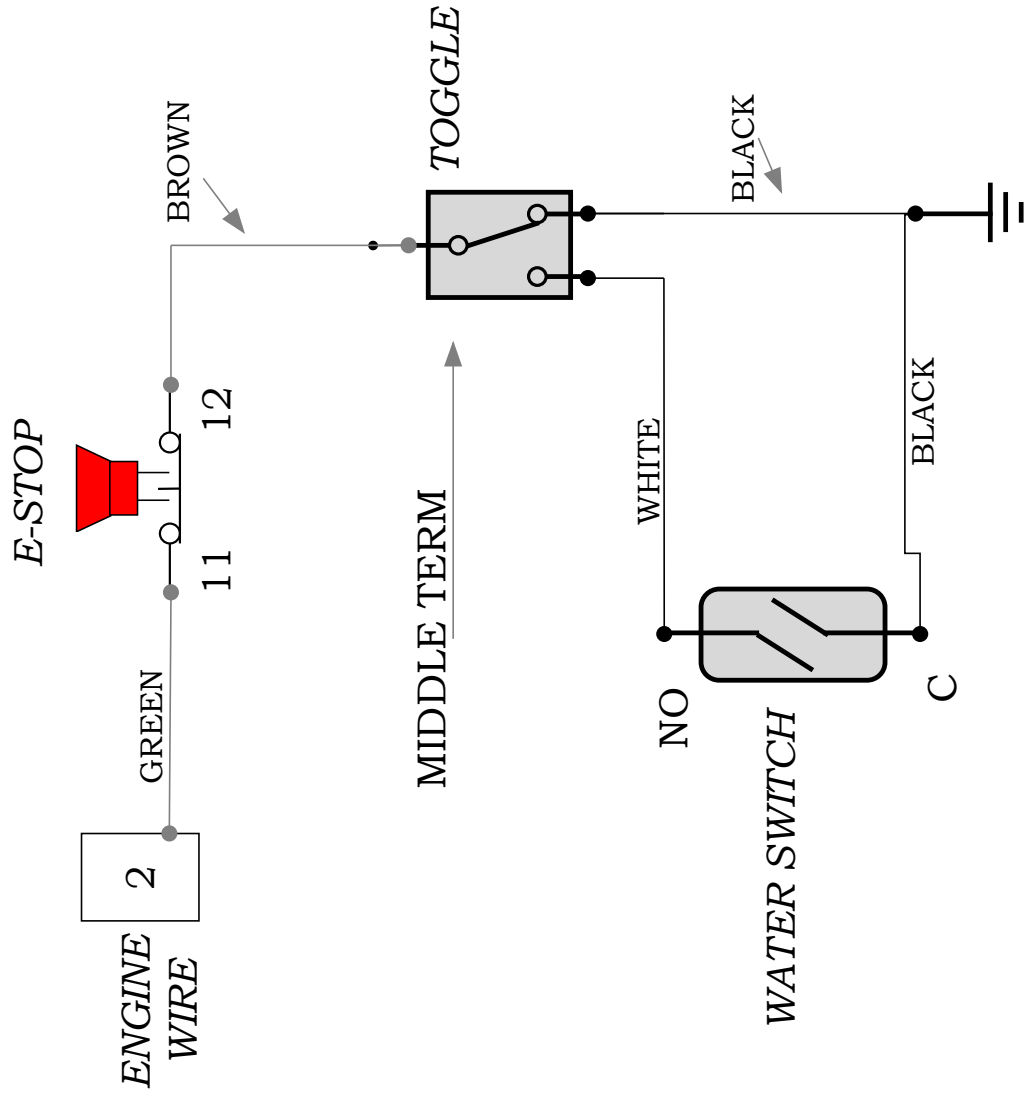


(A) FUSE	(D) FUEL SOLENOID	(G) STATOR/CHARGER	(J) WATER SAFETY SW.	(M) EMERGENCY STOP	(P) RAISE BUTTON
(B) OIL ALERT	(E) STARTER	(H) IGNITION COIL	(K) BATTERY DISCONNECT	(N) HYD. RAISE SOLENOID	(Q) LOWER BUTTON
(C) OIL ALERT	(F) BATTERY	(I) IGNITION COIL	(L) RECTIFIER/REGULATOR	(O) HYD LOWER COIL	



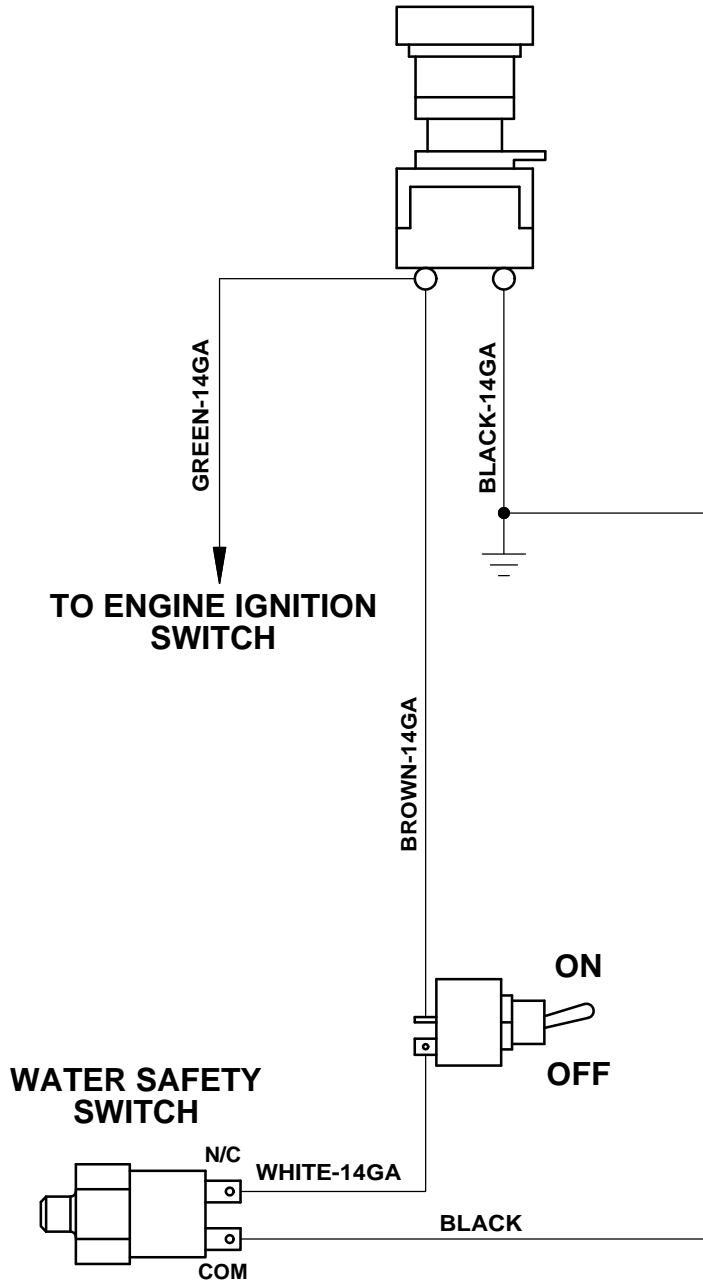
# WATER SAFETY SWITCH OPTION #6041358

FOR HONDA MODELS #GX630/GX660/GX690  
WHICH HAVE A CLOSED LOOP GROUNDING SYSTEM

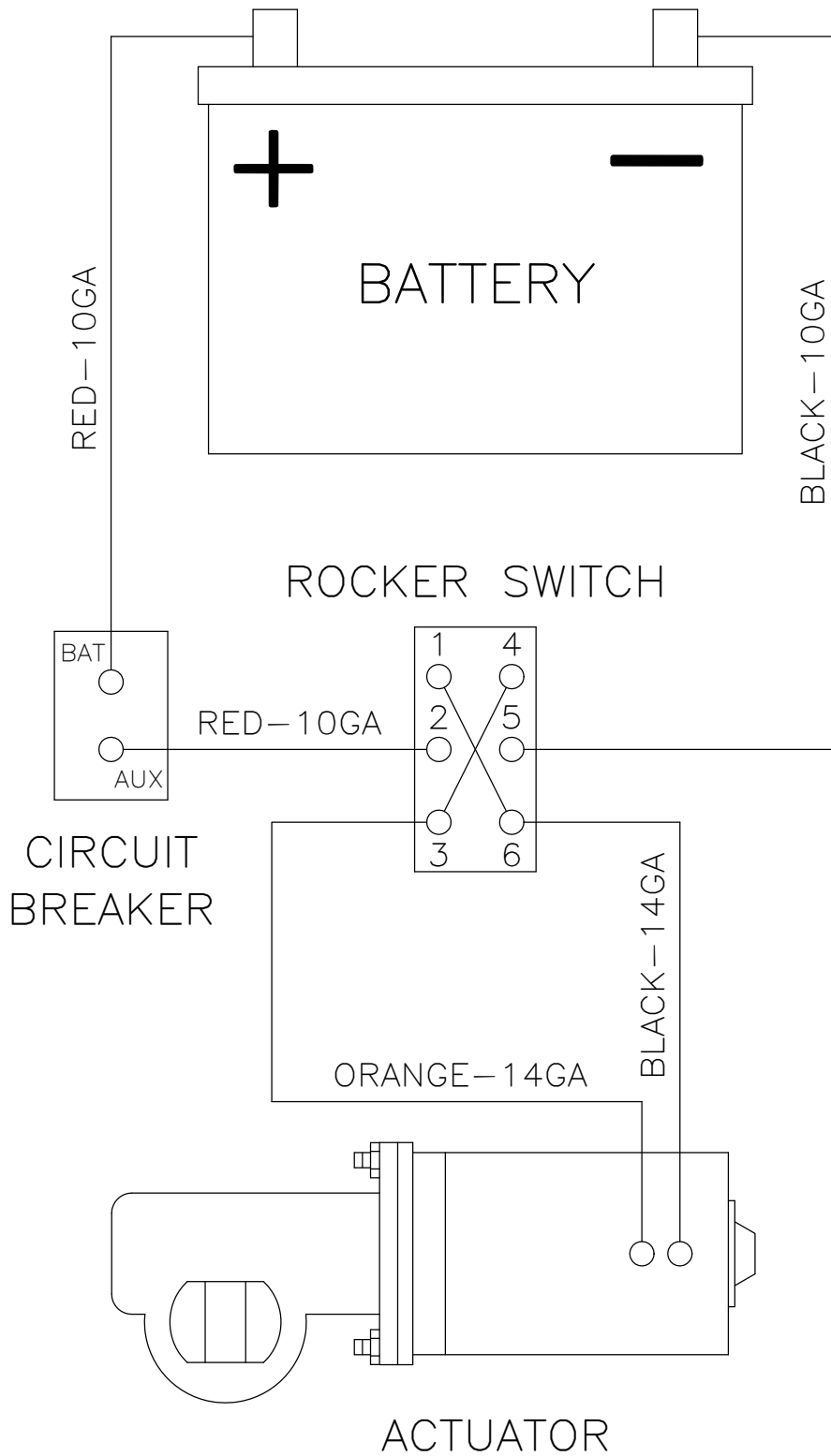


**WATER SAFETY SWITCH OPTION**  
**(FOR ALL ENGINES/MOTORS EXCEPT HONDA V-TWIN  
MODELS #GX630/GX660/GX690)**

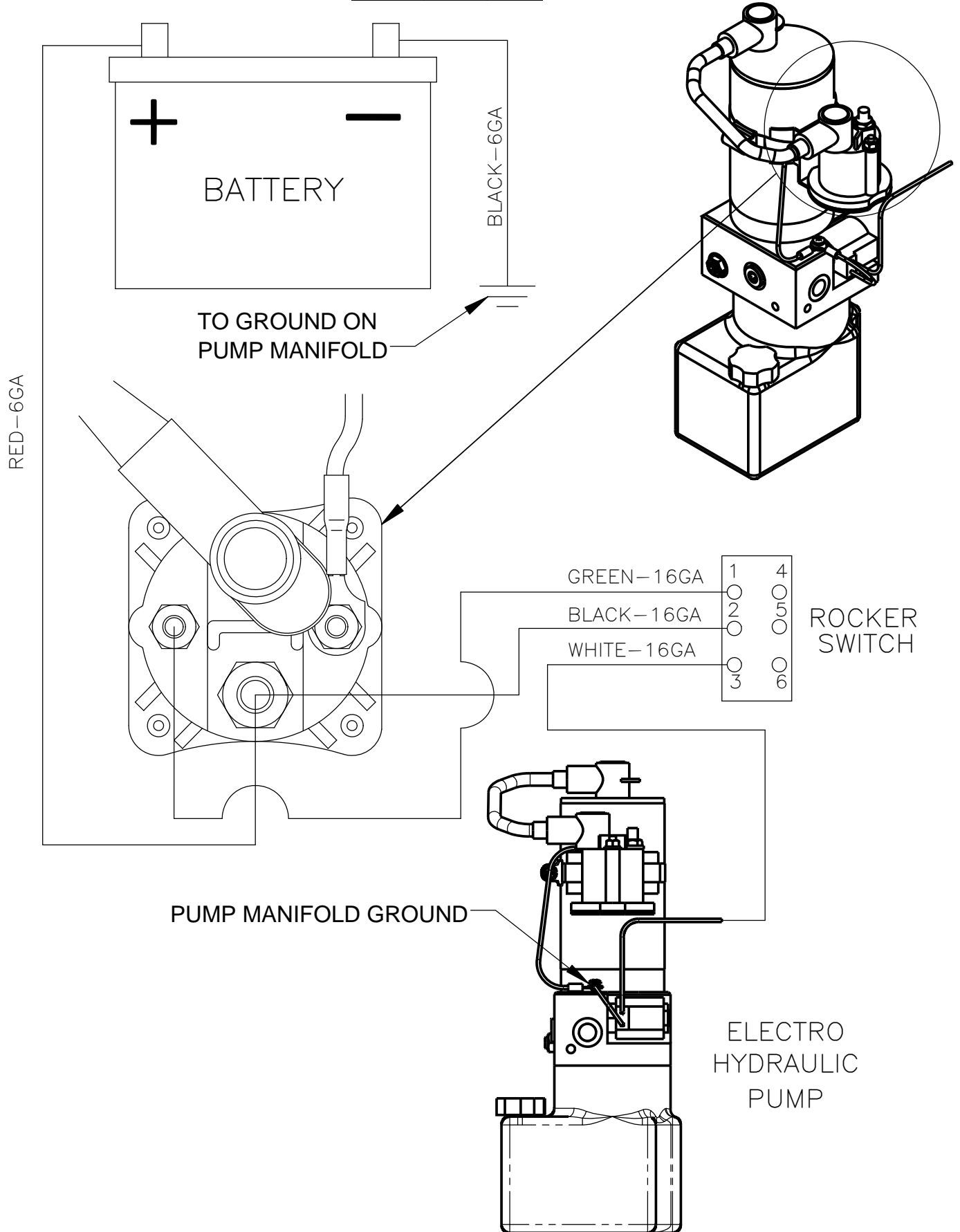
**EMERGENCY STOP BUTTON**



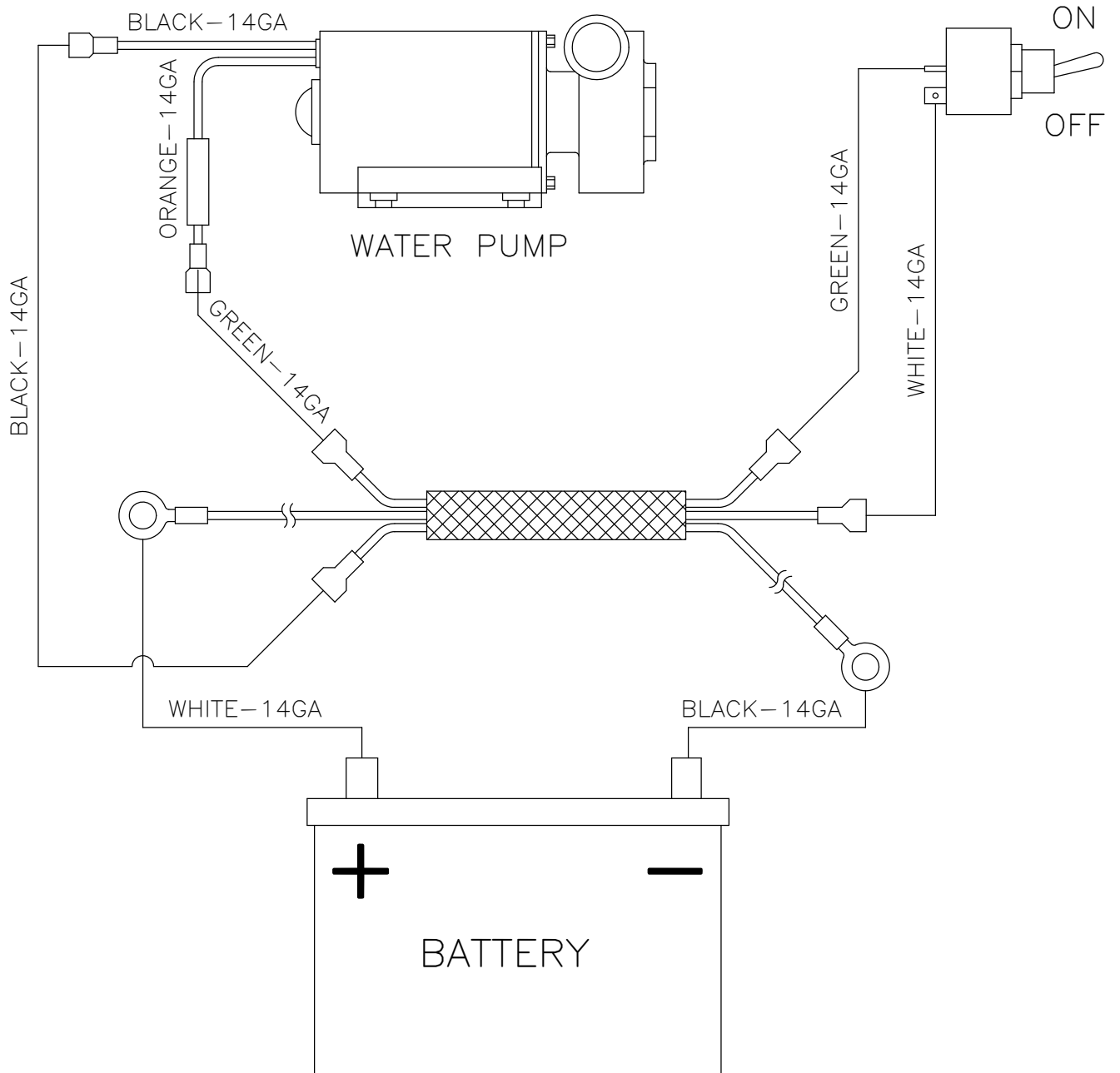
**Optional Electric Raise/Lower  
Wiring Diagram**



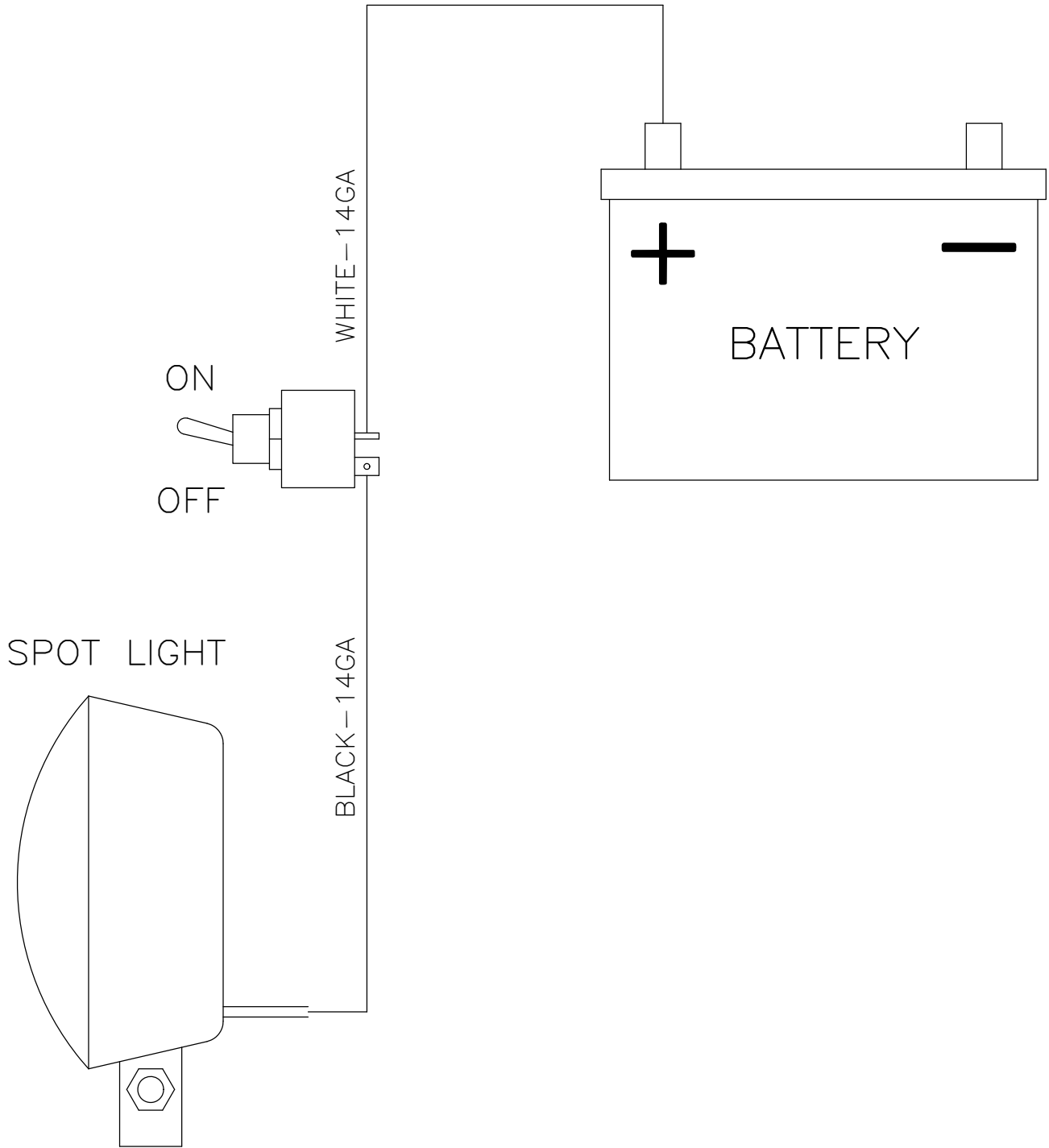
## Optional Hydraulic Raise/Lower Wiring Diagram



# Optional Water Pump Wiring Diagram



**Optional Spotlight  
Wiring Diagram**



# Decal Group



SAW LABEL SHEET  
#1800417



CORE CUT DECAL  
#1800416 (QTY. 2)



WARNING DECAL  
#1800001

## EQUIPMENT AND PARTS WARRANTY

Diamond Products warrants all equipment manufactured by it against defects in workmanship or materials for a period of one (1) year from the date of shipment to Customer.

The responsibility of Diamond Products under this Warranty is limited to replacement or repair of defective parts at Diamond Products' Elyria, Ohio factory, or at a point designated by it, of such parts as shall appear to us upon inspection at such parts, to have been defective in material or workmanship, with expense for transportation and labor borne by Customer.

In no event shall Diamond Products be liable for consequential or incidental damages arising out of the failure of any Product to operate properly.

Integral units such as engines, electric motors, batteries, transmissions, etc., are excluded from this Warranty and are subject to the prime manufacturer's warranty.

**THIS WARRANTY IS IN LIEU OF ALL OTHER WARRANTIES, EXPRESSED OR IMPLIED, AND ALL SUCH OTHER WARRANTIES ARE HEREBY DISCLAIMED.**

