

DIAMOND
PRODUCTS

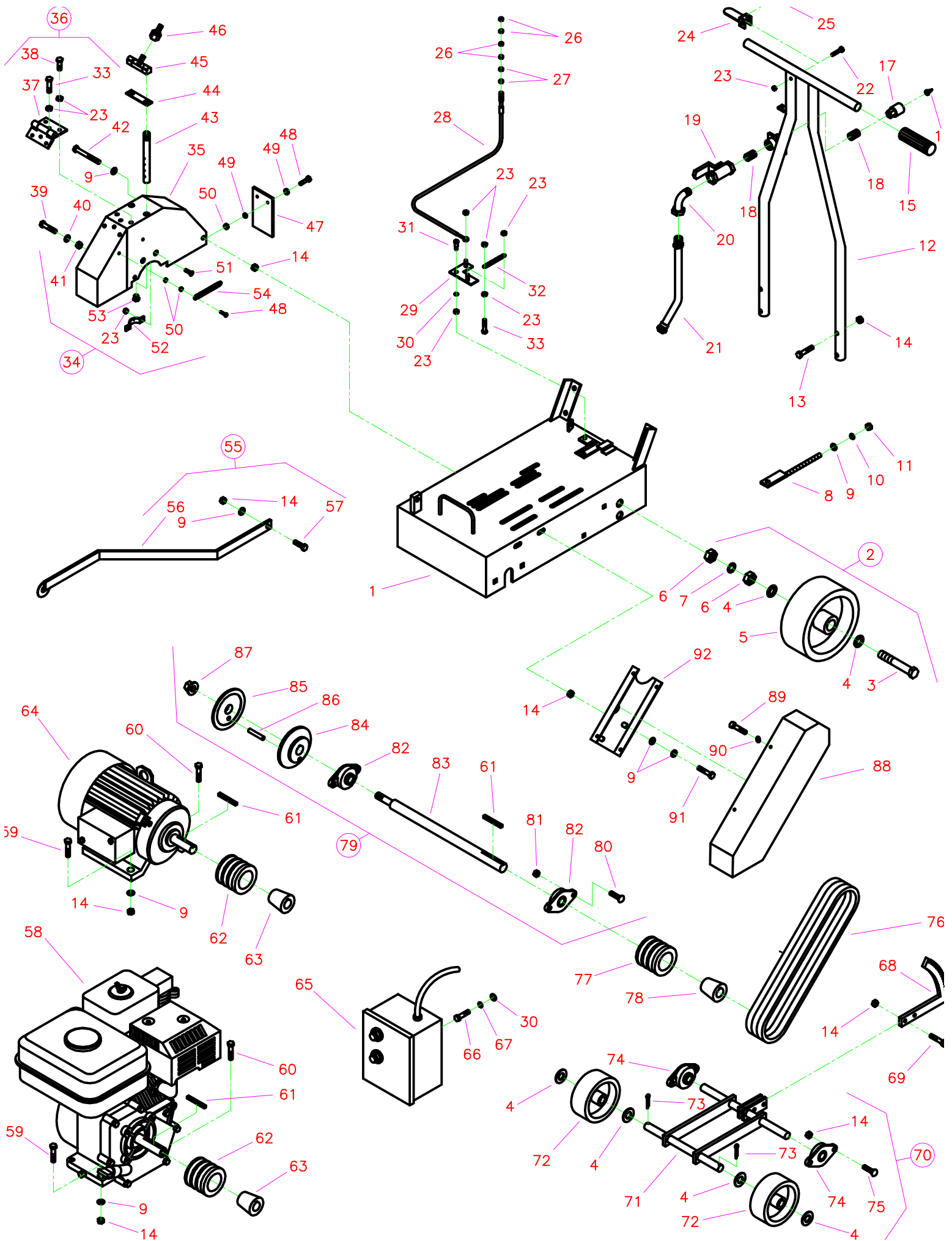
CONCRETE SAW
PARTS LIST

MODEL
CC1100

(REVISED 02-20-02)

CC1100 Parts List

Diagram Number	Part No.	Qty. Req.	Description	Diagram Number	Part No.	Qty. Req.	Description	
1	6048260	1	Frame Base	56	6048280	1	Pointer Only	
2	6048028	2	Rear Axle Assembly (includes #3 - #7)	57	2900013	1	Capscrew, Hex Hd., 3/8"-16 x 1-1/4"	
3	2900040	2	Capscrew, Hex Hd., 3/4"-10 x 4-1/2"	58	2600005	1	Engine, 8 HP Kohler Magnum	
4	2900003	8	Flat Washer, 3/4" SAE		2600006	1	Engine, 9 HP Briggs Vanguard	
5	2500411	2	Wheel, 8"		2600160	1	Engine, 9 HP Honda	
6	2900041	4	Hex Nut, 3/4"-10		2600008	1	Engine, 11 HP Honda	
7	2900042	2	Lock Washer, 3/4" Split		2600116	1	Engine, 13 HP Honda	
8	6048295	1	Belt Adjustment Shaft	59	2900013	3	Capscrew, Hex Hd., 3/8"-16 x 1-1/4" for 5 HP Electric and 8 HP Kohler	
9	2900014	11	Flat Washer, 3/8" SAE		2900029	3	Capscrew, Hex Hd., 3/8"-16 x 1-1/2" for 9 HP Briggs	
10	2900006	1	Lock Washer, 3/8" Split		2900047	3	Capscrew, Hex Hd., 3/8"-16 x 1-3/4" for Honda Engines	
11	2900033	1	Hex Nut, 3/8"-16		2900029	1	Capscrew, Hex Hd., 3/8"-16 x 1-1/2" for 5 HP Electric and 8 HP Kohler	
12	6048284	1	Handle Bar		2900047	1	Capscrew, Hex Hd., 3/8"-16 x 1-3/4" for 9 HP Briggs	
	6048287	1	Handle Bar for Electric Saws	60	2900029	1	Capscrew, Hex Hd., 3/8"-16 x 1-1/2" for 5 HP Electric and 8 HP Kohler	
13	2900047	4	Capscrew, Hex Hd., 3/8"-16 x 1-3/4"		2900047	1	Capscrew, Hex Hd., 3/8"-16 x 1-3/4" for 9 HP Briggs	
14	2900018	18	Lock Nut, 3/8"-16 Nylon		2900060	1	Capscrew, Hex Hd., 3/8"-16 x 2" for Honda Engines	
15	2500001	2	Handle Grip		61	6048134	2	Key, 1/4" Square x 2-1/4"
16	3200025	1	Filter Hose Washer		62	2500022	1	Sheave, 2.65-3 Groove
17	3200022	1	Fitting, 3/4" Female Garden Hose To 1/2" Female Pipe		63	2500026	1	Bushing, 1"
18	3200008	2	Close Nipple, 1/2" NPT		64	2600127	1	Bushing, 1-1/8" for 5 HP Electric Electric Motor, 5 HP-1 Phase, 230 Volt, Century
19	3200027	1	Water Valve		2600002	1	Electric Motor, 5 HP-3 Phase, 230/460 Volt, Lincoln	
20	3200013	1	Street Elbow, 1/2" NPT	65	6048302	1	Starter Box Assembly for 1 Phase Motor	
21	6048297	1	Hose Assembly		6048301	1	Starter Box Assembly for 3 PH Motor, 230 Volt	
22	2900048	1	Capscrew, Hex Hd., 1/4"-20 x 1-1/2"		6048305	1	Starter Box Assembly for 3 PH Motor, 460 Volt	
23	2900010	17	Lock Nut, 1/4"-20 Nylon	66	2900008	4	Capscrew, Hex Hd., 1/4"-20 x 1"	
24	2500079	1	Depth Control Lever	67	2900024	4	Lock Washer, 1/4" Split	
25	6048286	1	Swivel Pin	68	6048276	1	Adjustment Lever	
26	2900050	4	Hex Nut, #10-24	69	2900029	2	Capscrew, Hex Hd., 3/8"-16 x 1-1/2"	
27	2900049	2	Jam Nut, 5/16"-24	70	6048270	1	Front Axle Assembly (includes #4, #14, #71 - #75)	
28	2500077	1	Conduit Cable Assembly	71	6048274	1	Front Axle Only	
29	6048290	1	Lock Plate	72	2500005	2	Wheel, 5"	
30	2900009	5	Flat Washer, 1/4" SAE	73	2900004	2	Cotter Pin, 1/8" x 1"	
31	2900051	1	Shoulder Screw, 5/16" Dia. x 1/2"	74	2500011	2	Flange Block Bearing, 3/4"	
32	2500068	1	Spring, 1/2" Dia.	75	2900046	4	Carriage Screw, 3/8"-16 x 1-1/4"	
33	2900052	2	Capscrew, Hex Hd., 1/4"-20 x 1-1/4"	76	2500034	3	V-Belt, 3VX315 for 5 HP and 8 HP	
34	6048281	1	Blade Guard Assembly (includes #9, #14, #23, #35 - #54)	77	2500035	3	V-Belt, 3VX335 for 9 HP, 11 HP, and 13 HP	
35	6048282	1	Blade Guard Only	78	2500024	1	Sheave, 3.15-3 Groove	
36	6048150	1	Hinge Assembly (includes #23, #33, #37, #38)	79	2500028	1	Bushing, 1"	
37	2500270	1	Hinge Only		6048266	1	Blade Shaft Assembly (includes #61, #80 - #87)	
38	2900144	5	Capscrew, Hex Hd., 1/4"-20 x 3/4"	80	2900044	4	Carriage Screw, 7/16"-14 x 1-1/4"	
39	2900019	1	Capscrew, Hex Hd., 5/16"-18 x 3/4"	81	2900045	4	Lock Nut, 7/16"-14 Nylon	
40	2900022	1	Flat Washer, 5/16" SAE	82	2500012	2	Flange Block Bearing, 1"	
41	2900039	1	Lock Nut, 5/16"-18 Nylon	83	6048267	1	Blade Shaft	
42	2900057	1	Capscrew, Hex Hd., 3/8"-16 x 3-3/4"	84	6048139	1	Inner Flange	
43	6048283	2	Water Tube	85	6048141	1	Outer Flange with Pin	
44	6048159	1	Manifold Gasket	86	2900067	1	Drive Pin, 3/8" Dia. x 1-1/4"	
45	6048158	1	Manifold	87	2900066	1	Flange Nut, 5/8"-11, Left Hand	
46	3200023	1	Fitting, 3/4" Male Garden Hose to 1/4" Female Pipe	88	6048273	1	Belt Guard	
47	6048039	1	Splash Flap	89	2900021	4	Machine Screw, Round Hd., #10-24 x 3/8"	
48	2900015	4	Machine Screw, #10-24 x 3/4"	90	2900038	4	Lock Washer, #10 Split	
49	2900016	4	Flat Washer, #10 U.S.	91	2900005	2	Capscrew, Hex Hd., 3/8"-16 x 1"	
50	2900017	6	Lock Nut, #10-24 Nylon	92	6048272	1	Belt Guard Mounting Plate	
51	2900020	4	Capscrew, Flat Hd., 1/4"-20 x 3/4"					
52	6048155	2	Water Tube Clamp					
53	3200001	2	Pipe Plug, 1/8" NPT					
54	2500066	1	Spring, 3/8" Dia.					
55	6048279	1	Pointer Assembly (includes #9, #14, #56, #57)					



EQUIPMENT AND PARTS WARRANTY

Diamond Products warrants all equipment manufactured by it against defects in workmanship or materials for a period of one (1) year from the date of shipment to Customer.

The responsibility of Diamond Products under this Warranty is limited to replacement or repair of defective parts at Diamond Products' Elyria, Ohio factory, or at a point designated by it, of such parts as shall appear to us upon inspection at such parts, to have been defective in material or workmanship, with expense for transportation and labor borne by Customer.

In no event shall Diamond Products be liable for consequential or incidental damages arising out of the failure of any Product to operate properly.

Integral units such as engines, electric motors, batteries, transmissions, Etc., are excluded from this Warranty and are subject to the prime manufacturer's warranty.

THIS WARRANTY IS IN LIEU OF ALL OTHER WARRANTIES, EXPRESSED OR IMPLIED, AND ALL SUCH OTHER WARRANTIES ARE HEREBY DISCLAIMED.



333 Prospect Street, Elyria, Ohio 44035
(440) 323-4616 • (800) 321-5336 • Fax (440) 323-8689
www.diamondproducts.com